

# Parts Manual

## LM000101-LM000899



# T243HD

## 'S' series

## THOMAS EQUIPMENT LIABILITY WARRANTY

**THOMAS EQUIPMENT LIMITED** (Hereinafter referred to as the "Company") warrants each new **Thomas S/S Loader** sold by the Company to be free from manufacturing defects when used in normal service for a period of twelve [12] months, commencing with delivery to the original user, if operated according to manufacturer instructions and by a competent and careful operator. This warranty shall not apply to the loader or any part thereof which has been subject to misuse, negligence, alteration, or accident or which shall have been repaired outside of an authorized Thomas dealer place of business.

The Company's obligation under this warranty is expressly limited to the replacement or repair at **Thomas Equipment Limited**, Centreville, New Brunswick, or at a designated **Thomas Dealer**, of such part or parts which in the opinion of the Company have been defective. The Company shall not be liable for labour costs or transportation charges in connection with the replacement or repair of defective parts.

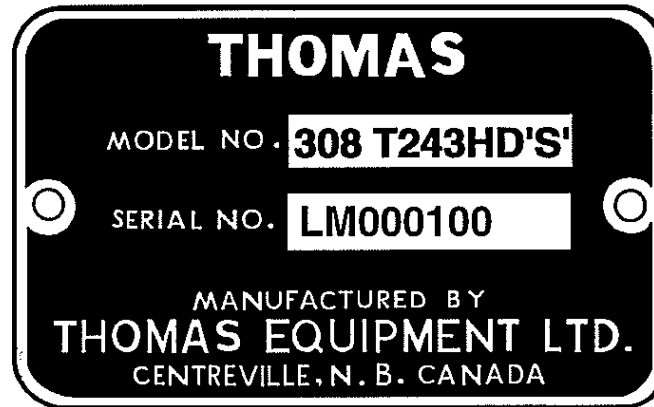
This warranty to repair applies only to new and unused **Thomas S/S Loaders** which after shipment from the factory have not been altered, changed, repaired or treated in any manner whatsoever and does not extend to trade accessories though sold or operated with the Company's loader. Trade accessories such as, but not limited to, engines, tires, batteries, are subject to the warranty of their respective manufacturers.

The Company and/or its authorized **Thomas** dealers shall not be liable for consequential damages or contingent liabilities for the fitness of any **Thomas S/S Loader** for any particular purpose.

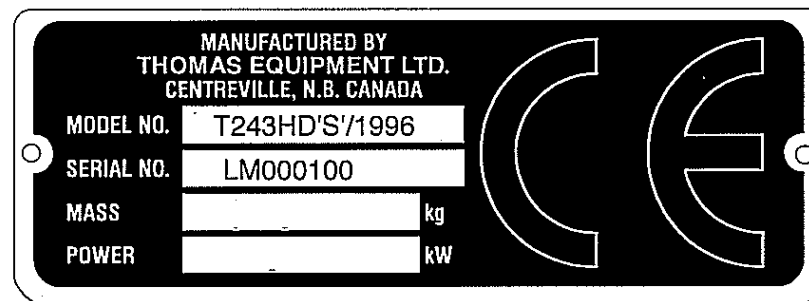
This warranty is expressly in lieu of any other express or implied warranty, condition or guarantee of this **Thomas S/S Loader** or any part thereof, including any implied warranty or condition of merchantability or fitness and of any other obligations on the part of the Company or the selling dealer.

No representative of the Company has authority to change this warranty in any manner whatsoever and no attempt to repair or promise to repair or improve the **Thomas S/S Loader** covered by this warranty by any representative of the Company shall waive or change or extend this warranty in any manner whatsoever.

*N.B. Read and practice your **Thomas S/S Loader** operating and servicing instructions. Failure to do this may void your warranty.*



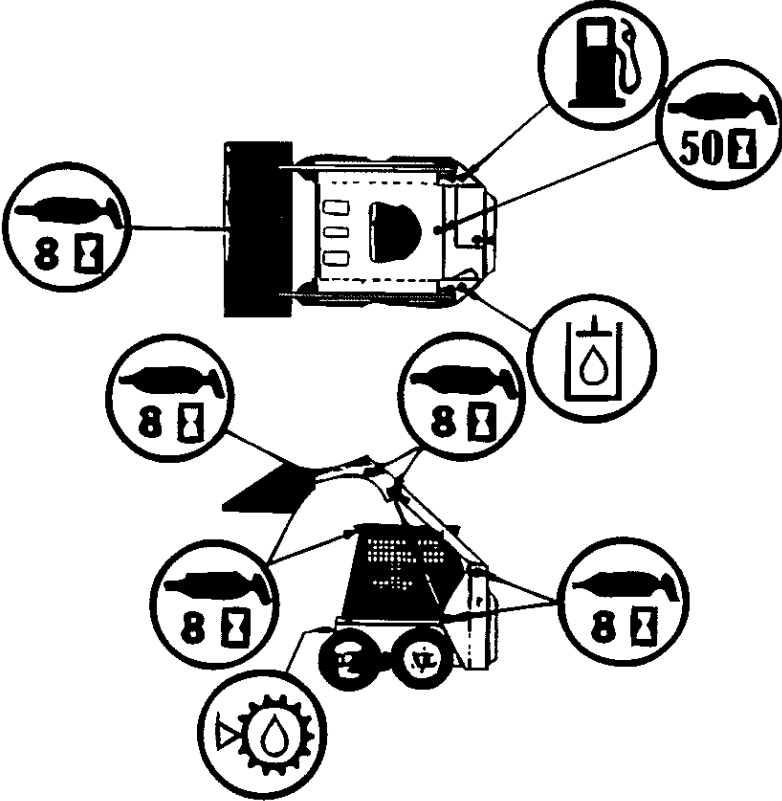
It is important when ordering replacement parts or making a service inquiry to provide both the model number and serial number of your Thomas loader. The serial number plate is located at the rear of the machine on the left hand side. In the event that the serial number plate is missing, the model number and serial number are both stamped into the main frame inside the rear door.



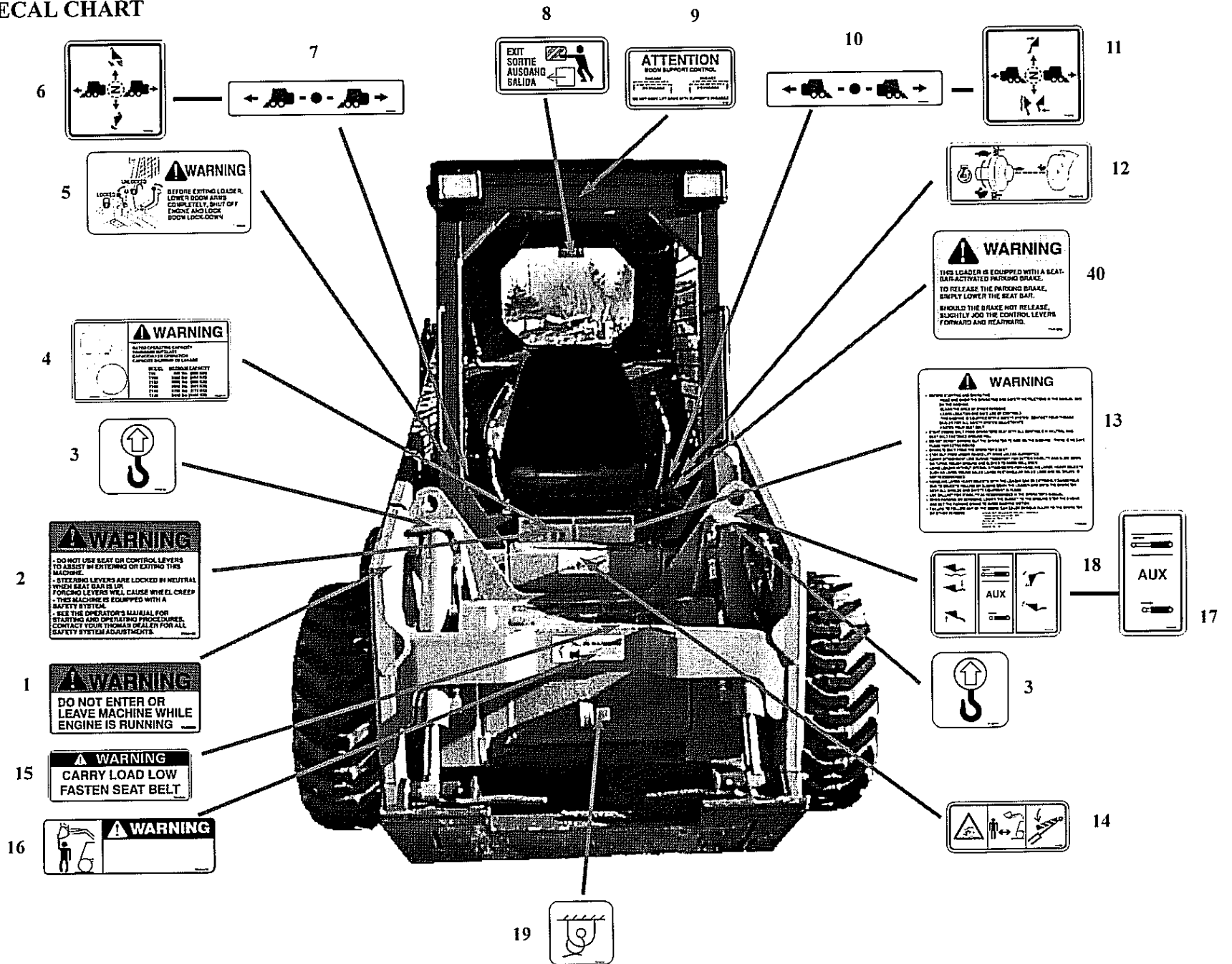
# Lubrication Chart

Pos	Part
NO.	No.

- 1. 20901 Silicone Tube
- 2. 10683 Gasket Adhesive and Sealant
- 3. 4557 Multi Purpose Grease
- 4. 35062 Lubriplate Lithium Grease
- 5. 35845 480 Loctite
- 6. 42904 454 Loctite
- 7. 35395 419 Loctite (Superbonder)
- 8. 10837 Neversieze
- 9. 34288 PST 567, Hydraulic Pipe Thread Sealant
- 6. 6470 10W30 API SE/CD (1 litre)
- 7. 22935 20W50 API SE/CD (1 litre)
- 8. 42698 5W40 API CF (price per litre X 20 litre Pail)



T243 S DECAL CHART



# T243 HDS DECAL CHART

**25** THIS MACHINE AND ITS COMPONENTS ARE PROTECTED BY ONE OR MORE OF THE FOLLOWING PATENTS:

CANADA	U.S.	FRANCE
110788	110788	110788
110789	110789	110789
110790	110790	110790
110791	110791	110791
110792	110792	110792
110793	110793	110793
110794	110794	110794
110795	110795	110795
110796	110796	110796
110797	110797	110797
110798	110798	110798
110799	110799	110799
110800	110800	110800

**24** BFM 1011/F

**23** CAUTION

**22** OIL. 5W40 API CF TH42110

**21**

**29**

**20** ATTENTION  
STOP ← PUSH - MANUAL ENGINE SHUT-OFF

**26** GENERAL SERVICE SCHEDULE - BY A SERVICE TECHNICIAN

EVERY 1 HOUR:	EVERY 100 HOURS:
<ul style="list-style-type: none"> <li>Check engine oil level.</li> <li>Check engine coolant level.</li> <li>Check engine air filter.</li> <li>Check engine belt tension.</li> <li>Check engine fan operation.</li> <li>Check engine fan belt.</li> <li>Check engine fan shroud.</li> <li>Check engine fan blades.</li> <li>Check engine fan housing.</li> <li>Check engine fan mounting.</li> <li>Check engine fan support.</li> <li>Check engine fan bracket.</li> <li>Check engine fan nut.</li> <li>Check engine fan washer.</li> <li>Check engine fan lockwasher.</li> <li>Check engine fan locknut.</li> <li>Check engine fan lockwasher.</li> <li>Check engine fan locknut.</li> </ul>	<ul style="list-style-type: none"> <li>Change engine oil.</li> <li>Change engine oil filter.</li> <li>Change engine air filter.</li> <li>Change engine coolant.</li> <li>Change engine coolant filter.</li> <li>Change engine fan belt.</li> <li>Change engine fan blades.</li> <li>Change engine fan housing.</li> <li>Change engine fan mounting.</li> <li>Change engine fan support.</li> <li>Change engine fan bracket.</li> <li>Change engine fan nut.</li> <li>Change engine fan washer.</li> <li>Change engine fan lockwasher.</li> <li>Change engine fan locknut.</li> <li>Change engine fan lockwasher.</li> <li>Change engine fan locknut.</li> </ul>
EVERY 10 HOURS:	EVERY 1000 HOURS:
<ul style="list-style-type: none"> <li>Check engine oil level.</li> <li>Check engine coolant level.</li> <li>Check engine air filter.</li> <li>Check engine belt tension.</li> <li>Check engine fan operation.</li> <li>Check engine fan belt.</li> <li>Check engine fan shroud.</li> <li>Check engine fan blades.</li> <li>Check engine fan housing.</li> <li>Check engine fan mounting.</li> <li>Check engine fan support.</li> <li>Check engine fan bracket.</li> <li>Check engine fan nut.</li> <li>Check engine fan washer.</li> <li>Check engine fan lockwasher.</li> <li>Check engine fan locknut.</li> <li>Check engine fan lockwasher.</li> <li>Check engine fan locknut.</li> </ul>	<ul style="list-style-type: none"> <li>Change engine oil.</li> <li>Change engine oil filter.</li> <li>Change engine air filter.</li> <li>Change engine coolant.</li> <li>Change engine coolant filter.</li> <li>Change engine fan belt.</li> <li>Change engine fan blades.</li> <li>Change engine fan housing.</li> <li>Change engine fan mounting.</li> <li>Change engine fan support.</li> <li>Change engine fan bracket.</li> <li>Change engine fan nut.</li> <li>Change engine fan washer.</li> <li>Change engine fan lockwasher.</li> <li>Change engine fan locknut.</li> <li>Change engine fan lockwasher.</li> <li>Change engine fan locknut.</li> </ul>

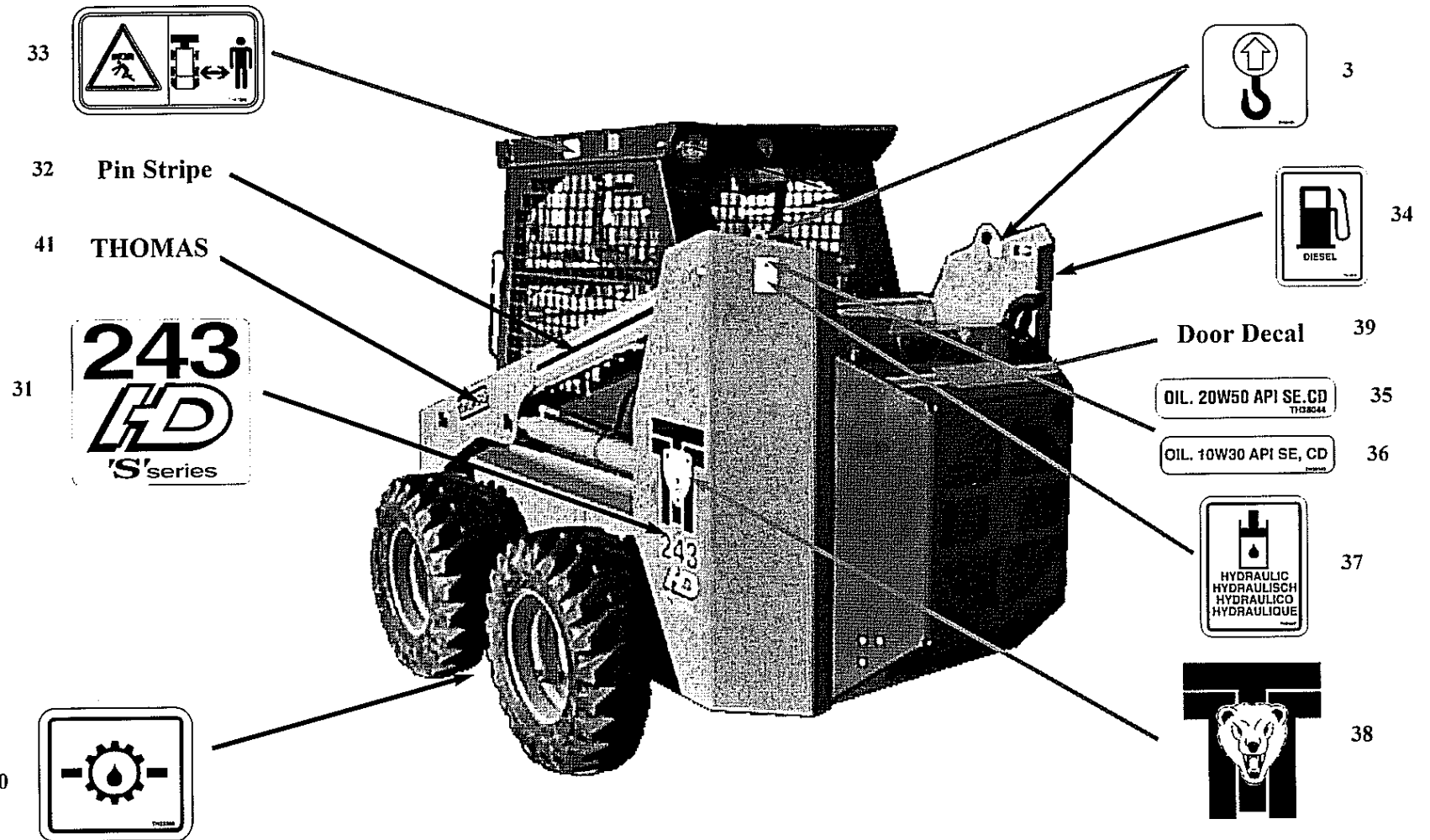
**27** WARNING TO JUMP START (Negative Grounded Battery)

1. Wear eye protection.
2. Connect one end of one cable to the positive (+) terminal of the battery to be started and the other end to the positive (+) terminal of the good battery.
3. Connect end of other cable to negative (-) terminal of the good battery, and the other end to the frame of the machine.

TO PREVENT DAMAGE TO BATTERY, DO NOT ATTEMPT TO JUMP START BATTERY FROM THE OTHER SIDE OF THE MACHINE.

**28**

T243 S DECAL CHART



1.	23334	9.	25460	17.	35935	25.	37010	33.	41065
2.	39196	10.	37059	18.	23301	26.	23321	34.	23310
3.	39191 (4)	11.	35885	19.	39192 (4)	27.	23325	35.	38044
4.	42107	12.	42109	20.	39189	28.	42529	36.	38043
5.	33859	13.	36598	21.	42108	29.	23308	37.	23307
6.	35886	14.	41066	22.	42110	30.	23309	38.	38712
7.	37060	15.	23326	23.	23312	31.	42111	39.	37012
8.	36841	16.	32275	24.	42523	32.	37426	40.	41045
								41.	37011 (2)

## INDEX - T243 HDS

### MAINFRAME 1.

Fuel System.....	1.1
Rear Door and Latch...Standard.....	1.2
Rear Door and Latch...CE.....	1.3
Quick-Tach.....	1.4
Universal Quick-Tach.....	1.5
Seat, and Seat Belt.....	1.6
Shields.....	1.7
Insulation.....	1.8
ROPS Assembly.....	1.9
Boom Supports.....	1.10
Pivot Pins.....	1.11
Boom Lockdown.....	1.12

### CONTROLS 2.

Control Levers (R.H. Side).....	2.1
Control Levers (L.H. Side).....	2.2
Control Levers (R.H. Side)...Hand.....	2.3
Control Levers (L.H. Side)...Hand.....	2.4
Foot Pedals.....	2.5
Throttle.....	2.6
Restraint Bar and Brake Cable.....	2.7
Control Handle with Switch LH.....	2.8

### FINAL DRIVE TRANSMISSION 3.

Transmission Housing.....	3.1
Axle Assembly.....	3.2
Idler Sprocket and Drive Chains.....	3.3
Parking Brake.....	3.4

### HYDRAULIC SYSTEM 4.

Oil Reservoir.....	4.1
Boom Lift Circuit.....	4.2
Bucket Tilt Circuit.....	4.3
Auxiliary Hydraulic Circuit.....	4.4
Control Valve.....	4.5
Control Valve Locks.....	4.6
Hydraulic Oil Filter.....	4.7
Hydraulic Oil Cooler and Fan Assembly.....	4.8
Lift Cylinder.....	4.9
Tilt Cylinder.....	4.10

### HYDROSTATIC DRIVE SYSTEM 5.

Hydrostatic Drive Circuit (RH Side).....	5.1
Hydrostatic Drive Circuit (LH Side).....	5.2
Hydrostatic Pump.....	5.3

### ELECTRICAL SYSTEM 6.

Electrical Wiring (ROPS Side).....	6.1
Electrical Wiring (Engine Side ).....	6.2

### ENGINE EQUIPMENT 7.

Air Cleaner.....	7.1
Exhaust System.....	7.2
Engine Mounts,Fan Guard.....	7.3
Universal Joint.....	7.4
Engine Accessories, Filters, Belt, Heater.....	7.5

### OPTIONAL EQUIPMENT 8.

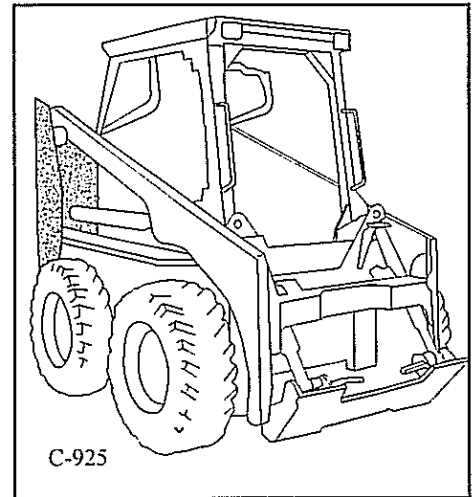
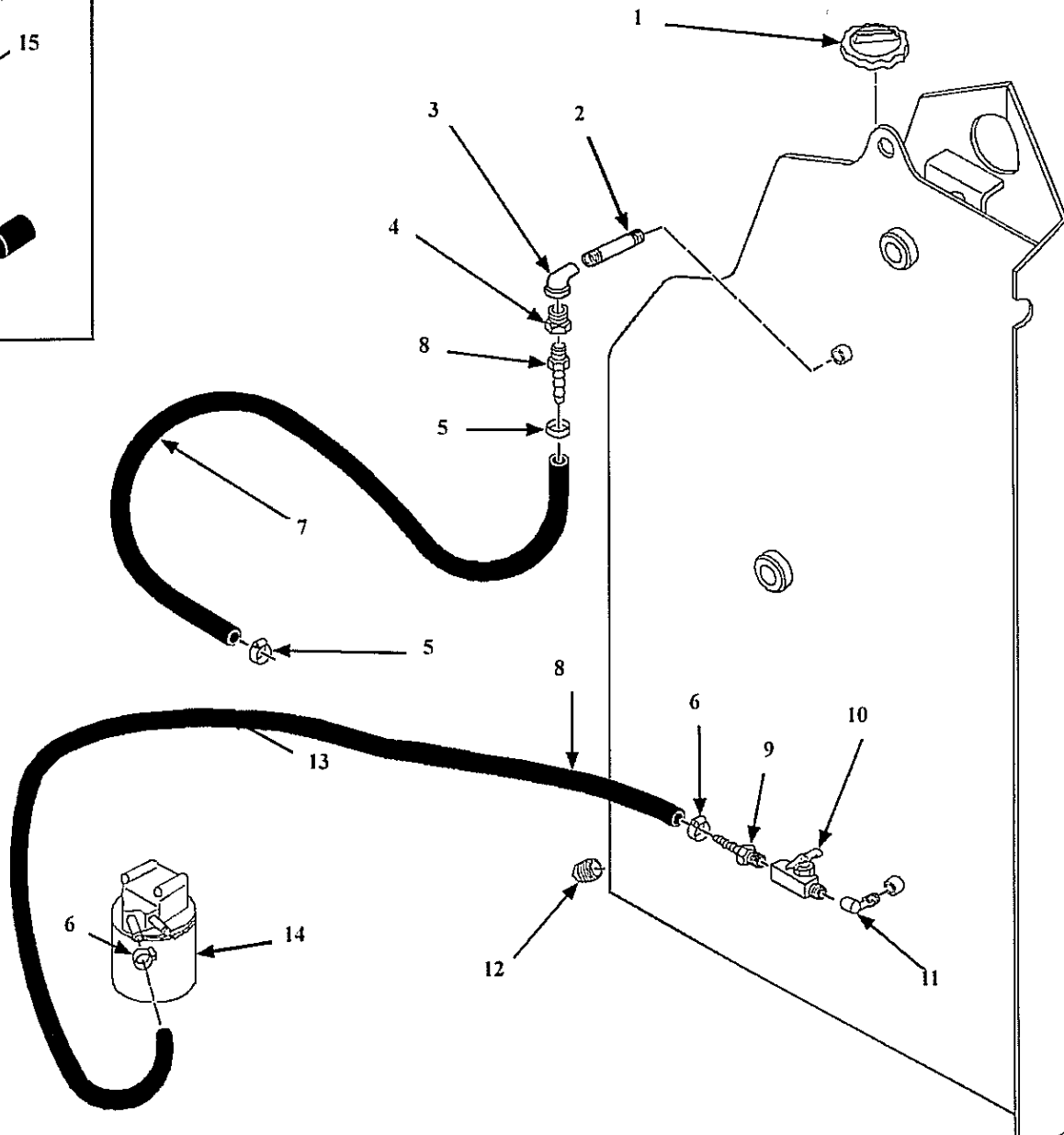
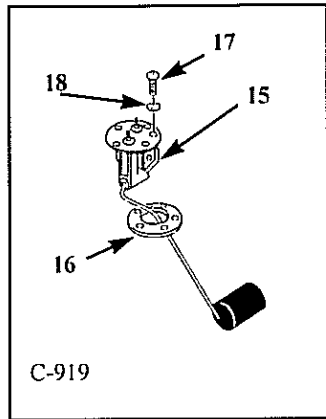
Hom Kit.....	8.1
Wheel Equipment.....	8.2
Cab Door.....	8.3
Strobe Light Kit.....	8.4
Directional Light Kit.....	8.5
ROPS Windows.....	8.6
Cab Heater.....	8.7



## MAINFRAME 1.

Fuel System.....	1.1
Rear Door and Latch..STANDARD.....	1.2
Rear Door and Latch...CE.....	1.3
Quick-Tach.....	1.4
Universal Quick-Tach.....	1.5
Seat and Seat Belt.....	1.6
Shields.....	1.7
Insulation.....	1.8
ROPS Assembly.....	1.9
Boom Supports.....	1.10
Pivot Pins.....	1.11
Boom Lockdown.....	1.12

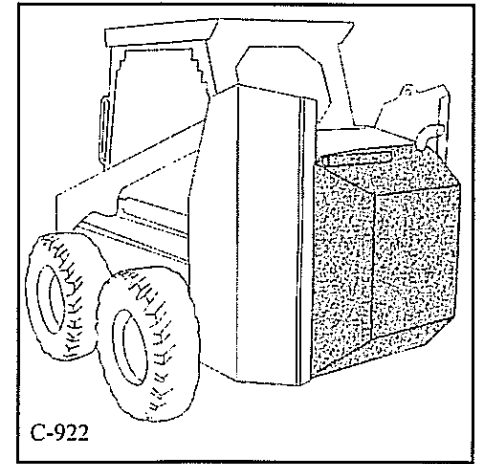
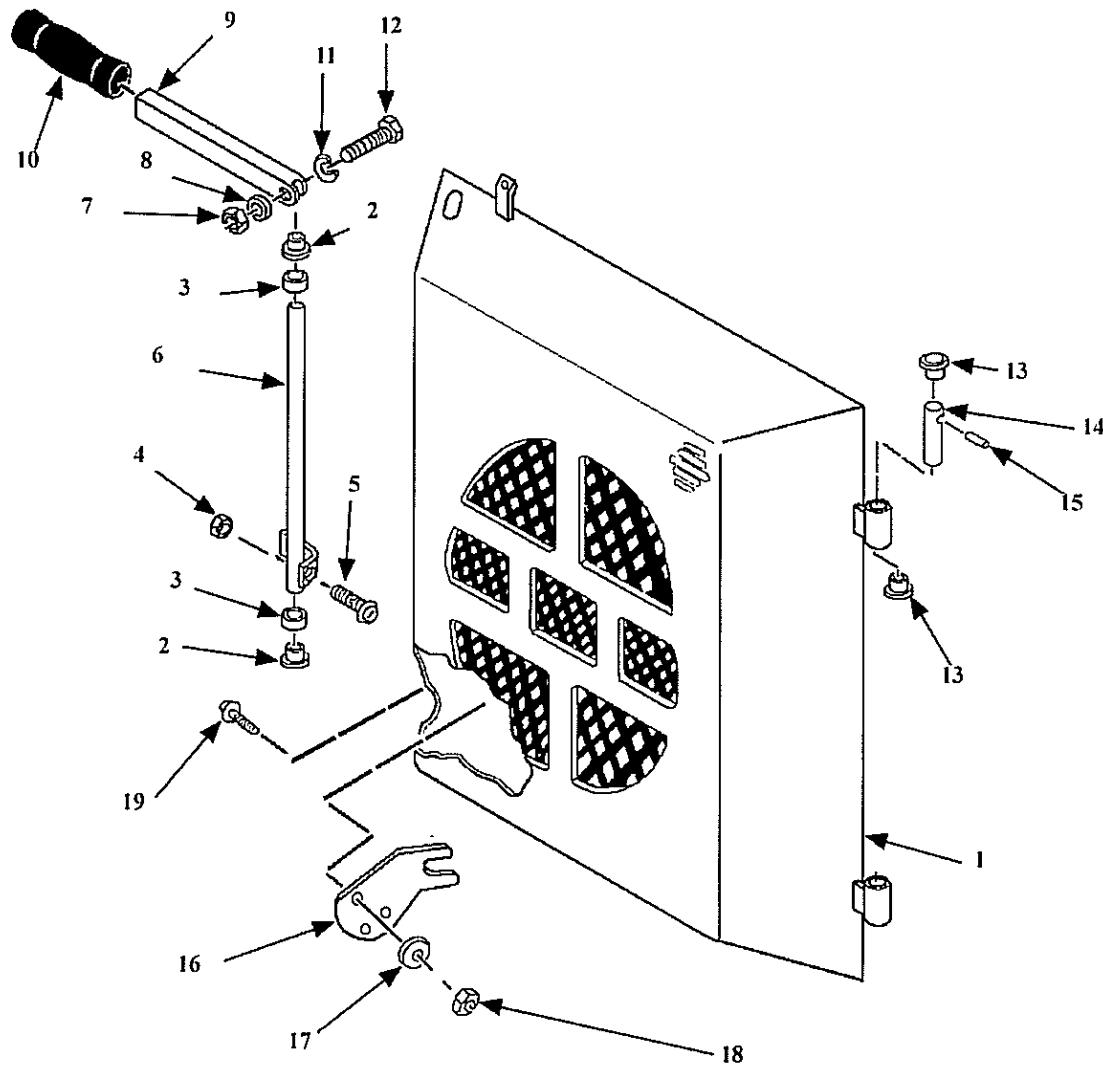
# Fuel System



Pos NO.	Part No.	Qty	Description
1	40921	1	Cap. Fuel , Diesel
1	40922	1	Cap, Fuel, Locking Diesel (Option)
2	42571	1	Nipple
3	42573	1	Elbow
4	42572	1	Reducer, Bushing
5	26737	2	Clamp
6	19949	3	Clamp
7	407	1	Fuel Line
8	18318	1	Hose End
9	23861	1	Hose End
10	14797	1	Fuel Shutoff Cock
11	42574	1	Elbow
12	1458	1	Plug
13	261	1	Fuel Line
14	42649	1	Filter, Engine Fuel
15	41627	1	Fuel Level Sender
16	24264	1	Gasket, Cork
17	23194	1	Machine Screw
18	24214	1	Washer, Fibre
*	43276	1	Fuel Pump

# Rear Door and Latch STANDARD

1.2

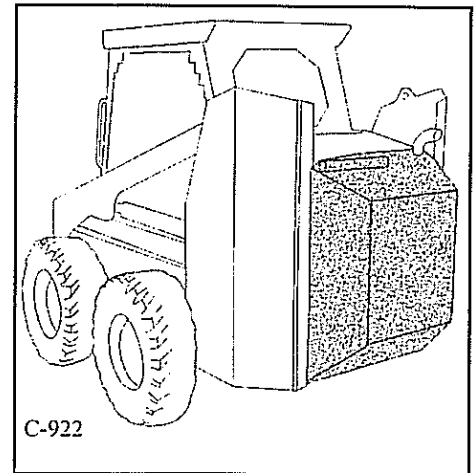
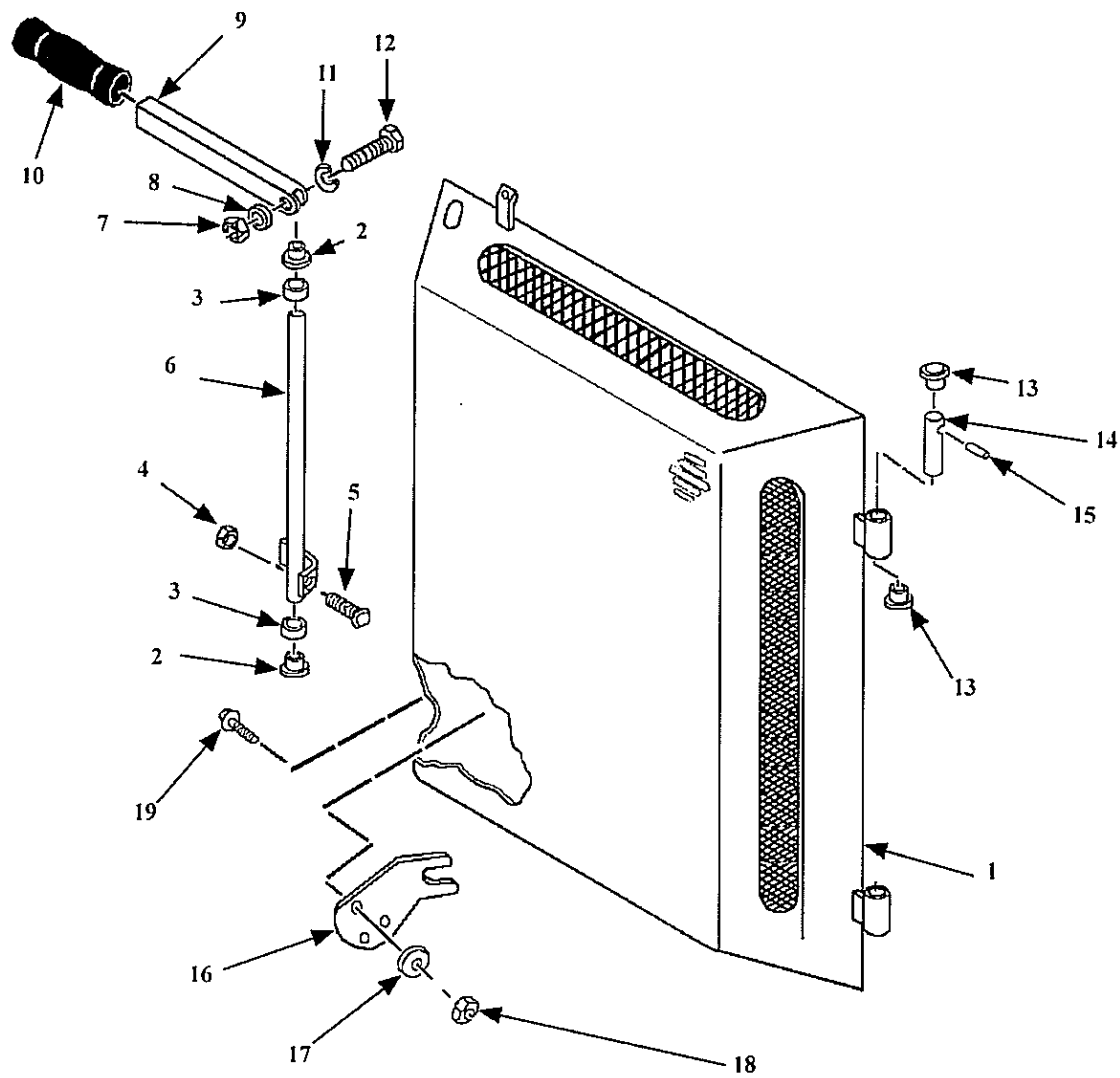


Pos NO.	Part No.	Qty	Description
1	961616	1	Rear Door with Latch
2	16989	2	Bearing
3	4842	3	Collar Set
4	20860	1	Nut
5	2823	1	Bolt
6	961614	1	Lock
7	16771	1	Nut
8	1651	1	Washer
9	35426	1	Handle, Door
10	3189	1	Grip, Lever
11	1651	1	Washer
12	1678	1	Bolt
13	31488	4	Bearing
14	42011	1	Pin
15	31489	2	Split Pin
16	41956	1	Plate, Door Guide
17	15733	3	Washer
18	7465	3	Nut
19	2835	3	Bolt

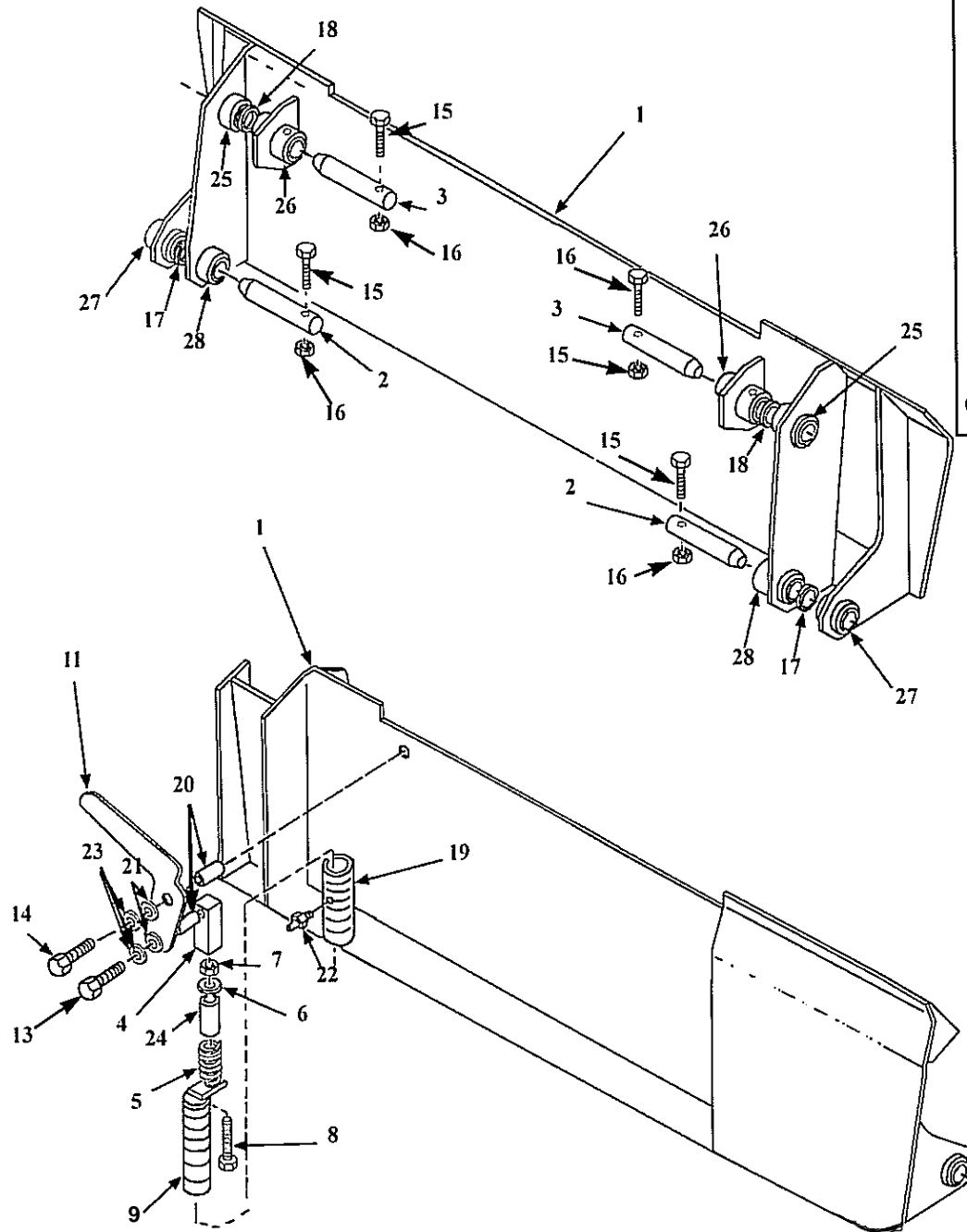
Rear Door and Latch

CE

1.3



Pos NO.	Part No.	Qty	Description
1	961939	1	Rear Door with Latch
2	16989	2	Bearing
3	4842	2	Collar Set
4	20860	1	Nut
5	2823	1	Bolt
6	961614	1	Lock, Rear Door Assy
7	16771	1	Nut
8	1651	1	Washer
9	35426	1	Handle, Door
10	3189	1	Grip, Lever
11	1651	1	Washer
12	1678	1	Bolt
13	31488	4	Bearing
14	42011	2	Pin
15	31489	2	Split Pin
16	41956	1	Plate,Door Guide
17	15733	3	Washer
18	7465	3	Nut
19	2835	3	Bolt

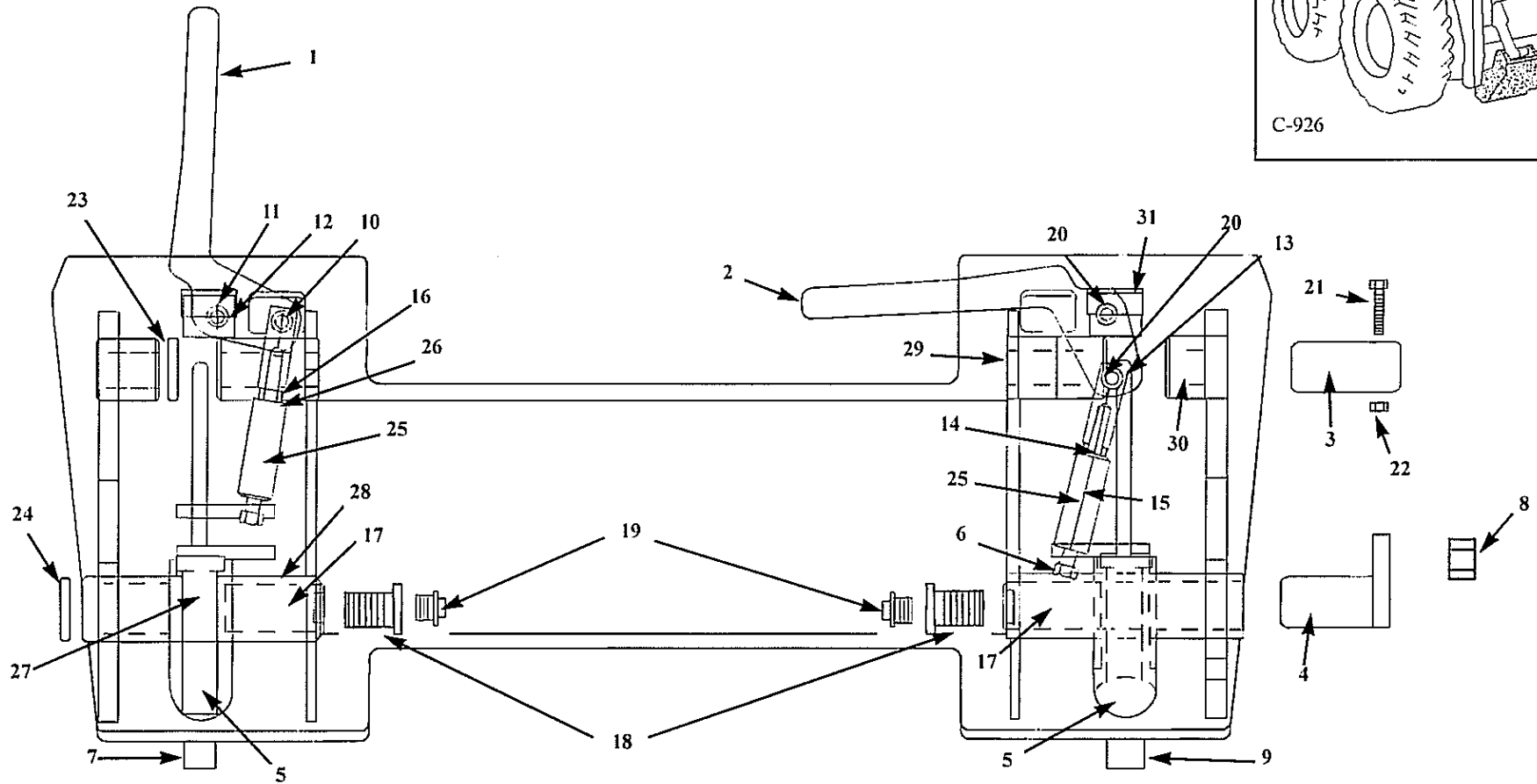
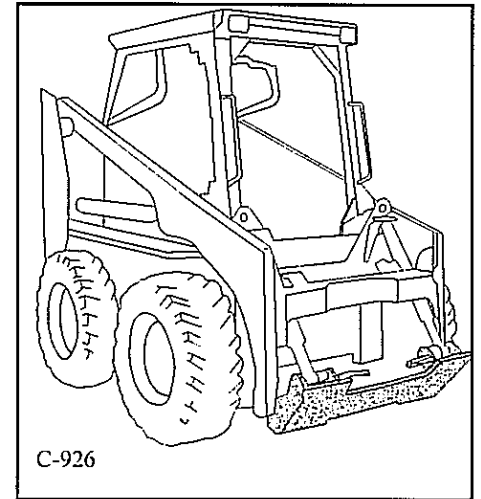




Pos NO.	Part No.	Qty	Description
1	961967	1	Quick-Tach Complete (With pins). U - 2056
1	961981	1	Quick-Tach Complete (Without pins)
2	41288	2	Hinge pin, lower
3	41289	2	Pin, upper
4	40614	2	Linkage block
5	41391	2	Spring.
6	25845	2	Washer, Flat
7	20860	2	Nut, Hex
8	2011	4	Bolt Hex
9	961426	1	Pin, LH Lock Assy
10	961456	1	Pin, RH Lock Assy, not shown
11	41291	1	Handle, LH
12	41290	1	Handle, RH, not shown
13	20856	2	Bolt, Hex
14	1680	2	Bolt, Hex
15	7458	4	Bolt, Hex
16	16771	4	Nut
17	32614	2	Washer
18	32615	2	Washer
19	41372	2	Pin Guides
20	22653	2	Bushing
21	41392	2	Belleville Spring Washer
22	35449	2	Grease Fitting
23	23385	2	Washer, Flat
24	42350	2	Bushing, Spring Stabilizer
25	30899	2	Bushing, Outside Tilt
26	30900	2	Bushing, Inside Tilt
27	41370	2	Bushing, Outside Hinge
28	41371	2	Bushing, Inside Tilt

Universal Quick - Tach

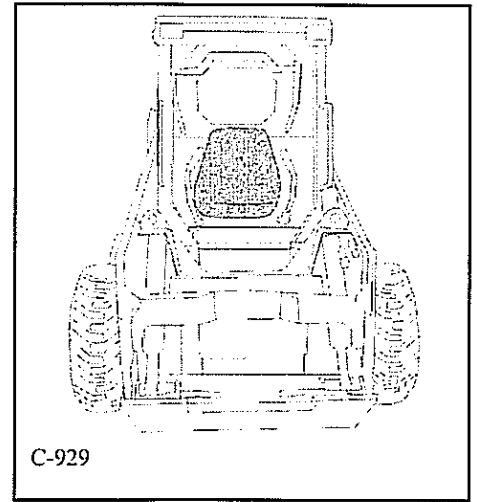
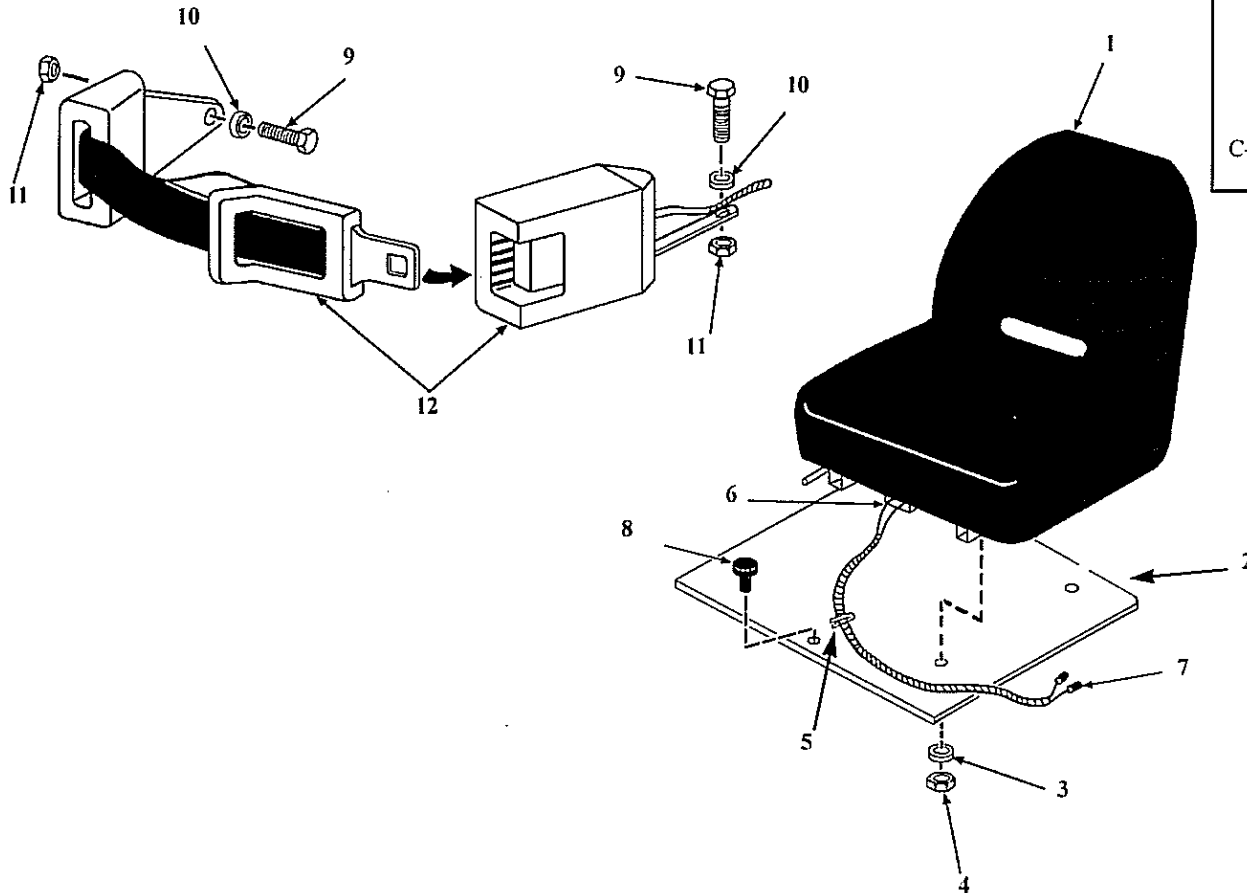
1.5



Pos NO.	Part No.	Qty	Description
	961970		Universal with pins and handles U- 2326
	961696		Universal without pins
1	41291	1	LH Handle
2	41290	1	RH Handle
3	043636	2	Pin
4	043634	2	Pin Assy
5	42362	2	Bushing, Pin Guide
6	2011	2	Bolt
7	961833	1	Lock Pin LH
8	8613	2	Nut
9	961834	1	Lock pin RH
10	3321	2	Bolt
11	41392	2	Washer
12	1680	2	Bolt
13	40614	2	Linkage, Block
14	20860	2	Nut
15	41391	2	Spring
16	20861	2	Lock Washer
17	41318	2	Hardened Bushing
18	23507	2	Reducer Bushing
19	39924	2	Grease Fitting
20	22653	4	Spacer, Bushing
21	7458	2	Bolt
22	16771	2	Nut
23	32615	2	Washer, Nylon
24	32614	2	Washer, Nylon
25	42350	2	Bushing, Spring Stabilizer
26	23385	4	1/2 in. Washer, Flat
27	35449	2	1/8 in. Grease Nipple
28	41330	2	Hinge, Bushing
29	30913	2	Bushing, Inside Tilt
30	41329	2	Bushing, Outside Tilt
31	40611	2	Bar, Handle Mount

# Seat and Seat Belt

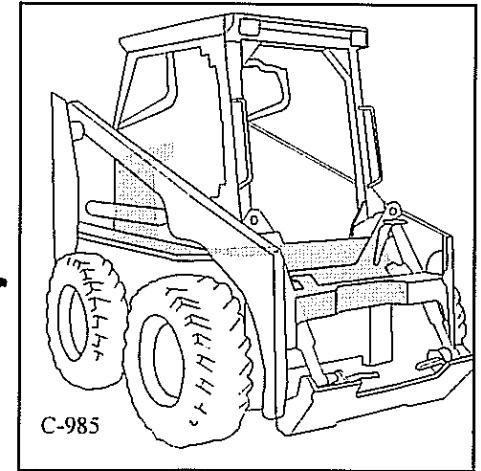
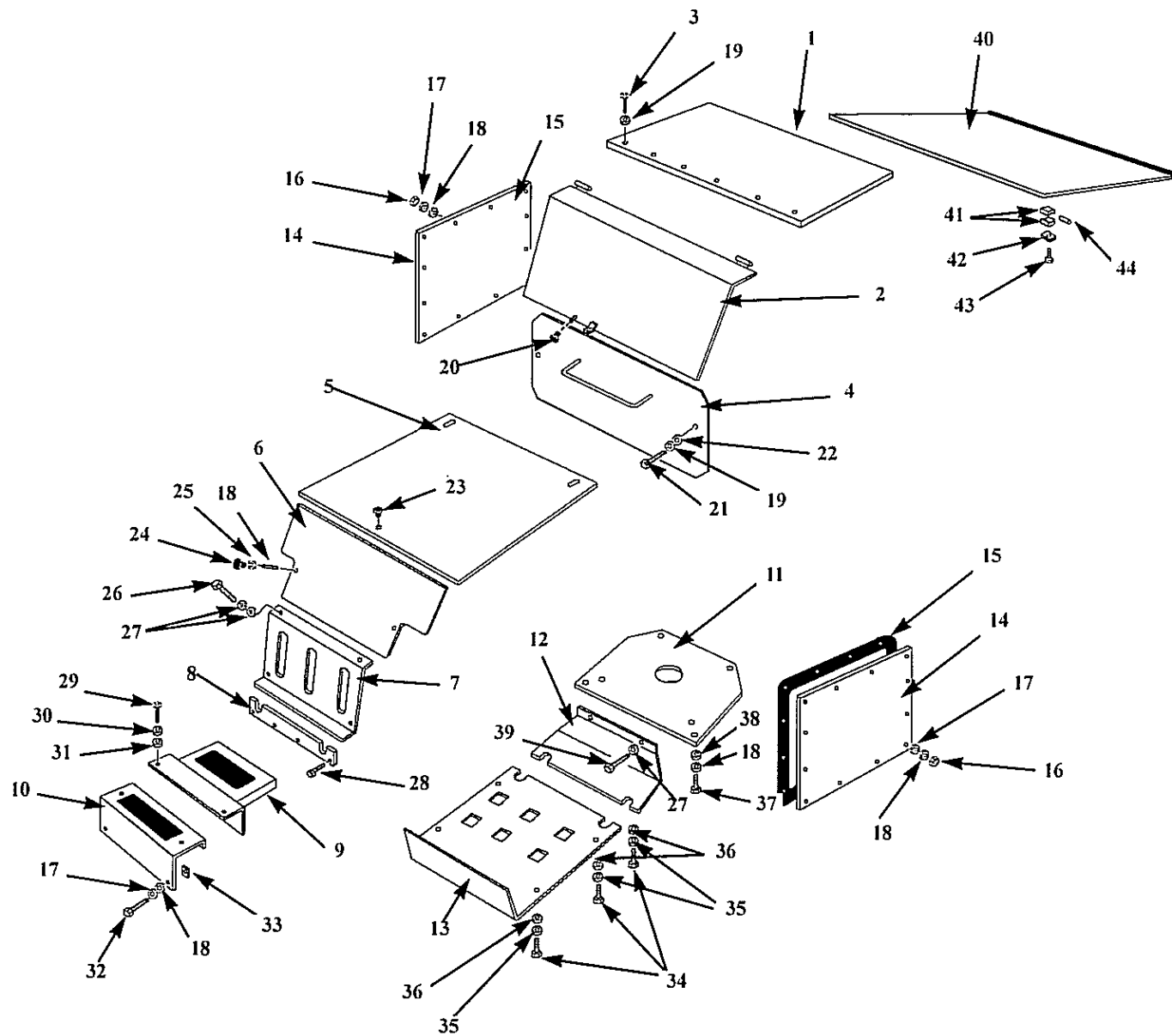
1.6



Pos NO.	Part No.	Qty	Description
1	38600	1	Seat Assy
2	41619	1	Sheet, Seat Mount
3	1870	4	Washer
4	1191	4	Nut
5	40581	1	Clip
6	38516	1	Seat Switch
7	39904	1	Harness, Seat Switch
8	42070	1	Knob, Black with Stud
9	1193	2	Bolt
10	1643	2	Washer
11	7465	2	Nut
12	960680	1	Seat Belt
12	960681	1	3" Seat Belt (Option)

# Shields

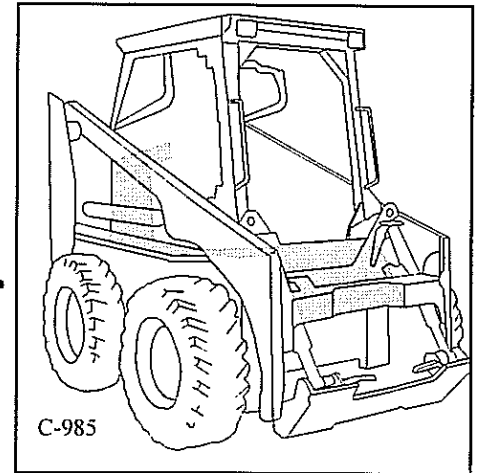
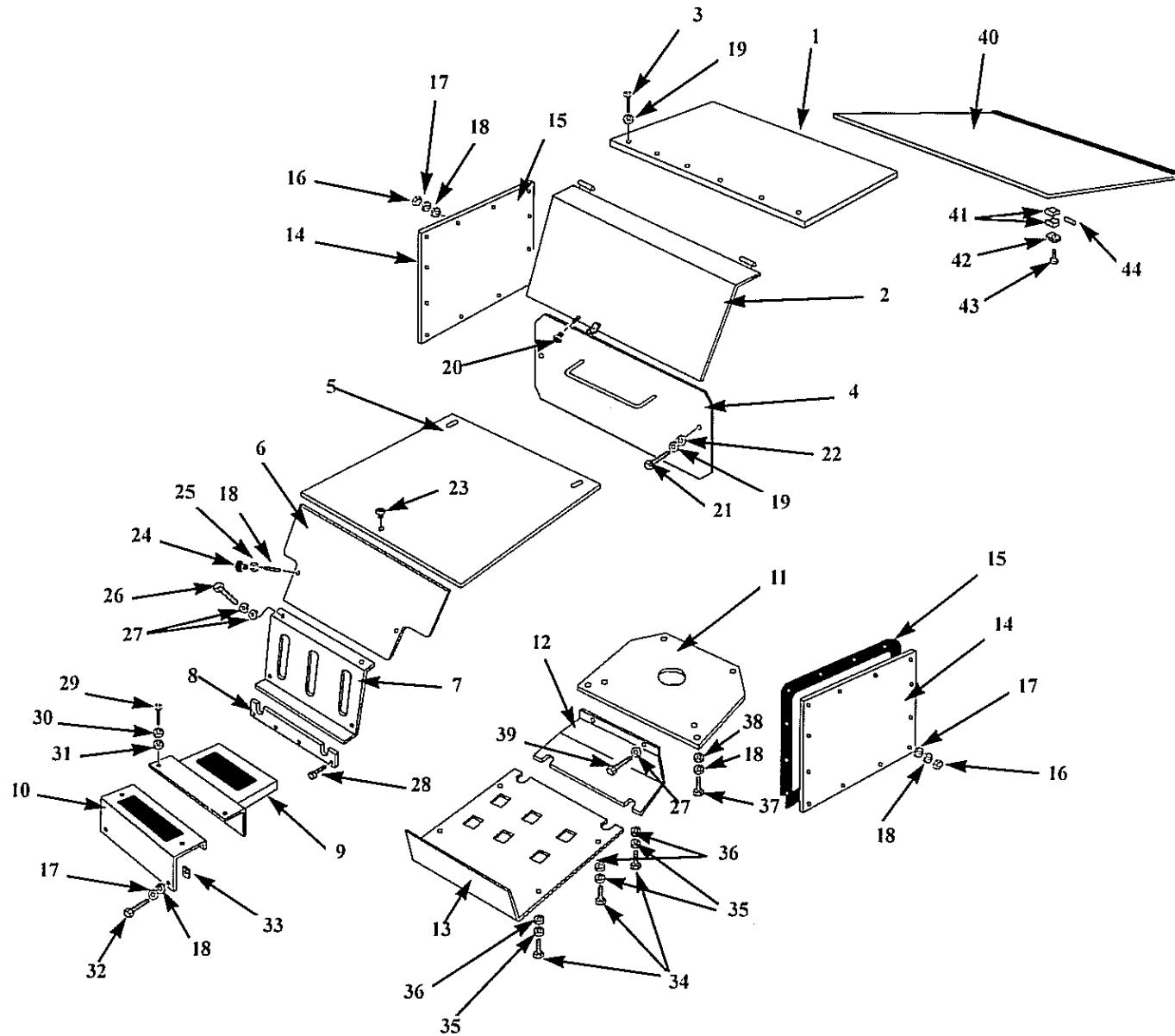
1.7



Pos NO.	Part No.	Qty	Description
1	42227	1	Rear Shield
2	42239	1	Battery Door
3	31744	12	Screw
4	961528	1	Panel, Access
5	41619	1	Seatplate
6	961544	1	Front Bulkhead Assy
7	41622	1	Front Bulkhead Bottom
8	42415	1	Bulkhead, Cable
9	961708	1	Step, Foot Controls
9	961707	1	Step Shield, Hand Controls
10	25762	1	Shield, Step
11	42513	1	Hose Protector, Bottom
12	31581	1	Belly Pan, Rear
13	40183	1	Plate, Front Belly Pan
14	31262	2	Inspection Cover
15	20901	AR	Inspection Cover Gasket
16	1191	36	Nut
17	1870	36	Springwasher
18	1651	36	Flatwasher
19	1650	12	Washer
20	41791	1	Knob
21	2663	2	Bolt
22	2279	2	Washer
23	42070	1	Knob w stud
24	41791	3	Knob, Black with Brass Insert
25	41704	3	Bar Stud
26	1190	2	Bolt
27	1643	4	Washer
28	21907	2	Screw
29	17429	2	Bolt
30	17439	2	Washer
31	17442	2	Washer

# Shields

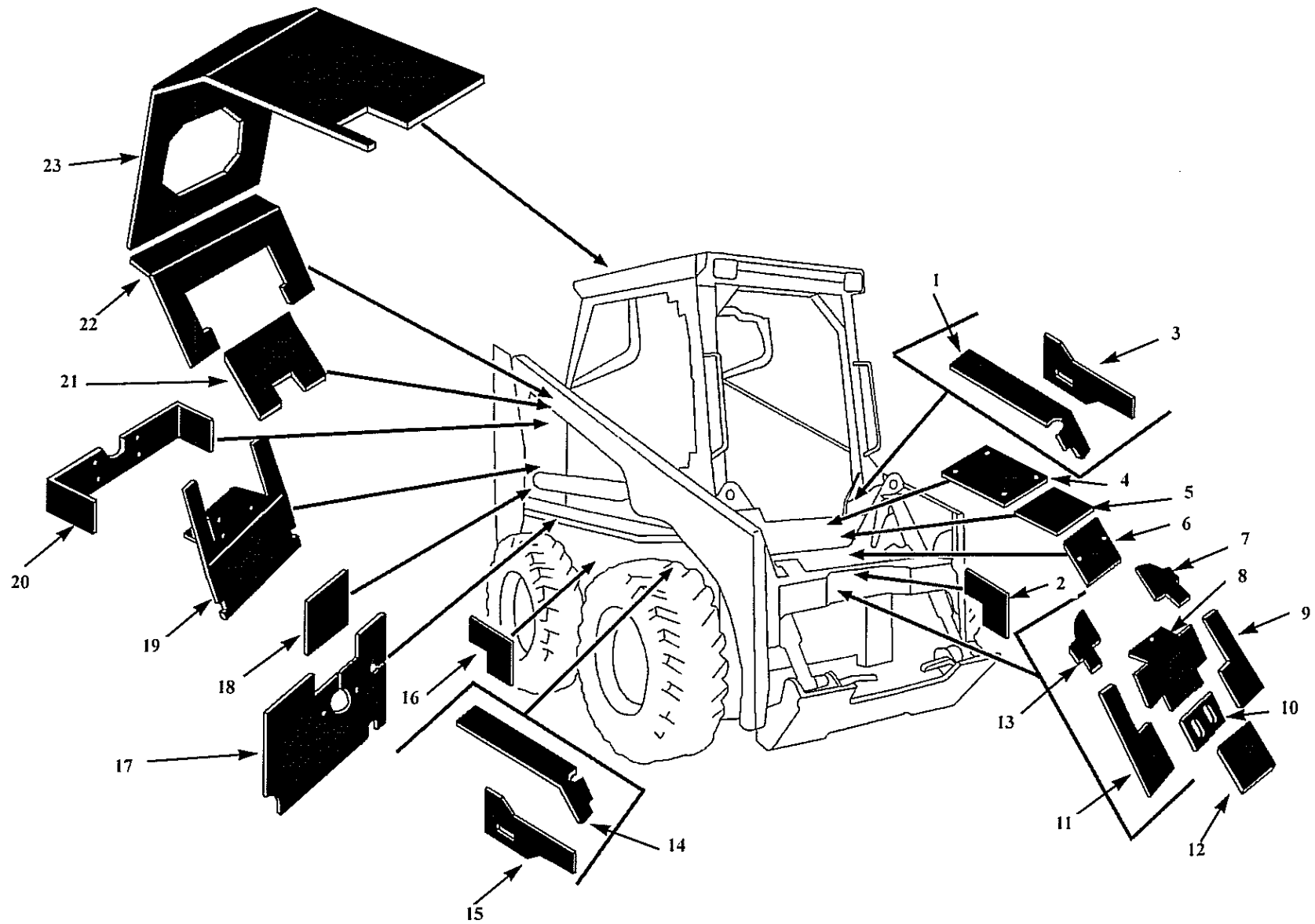
1.7





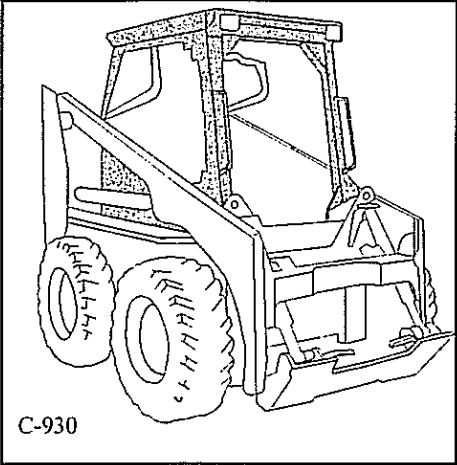
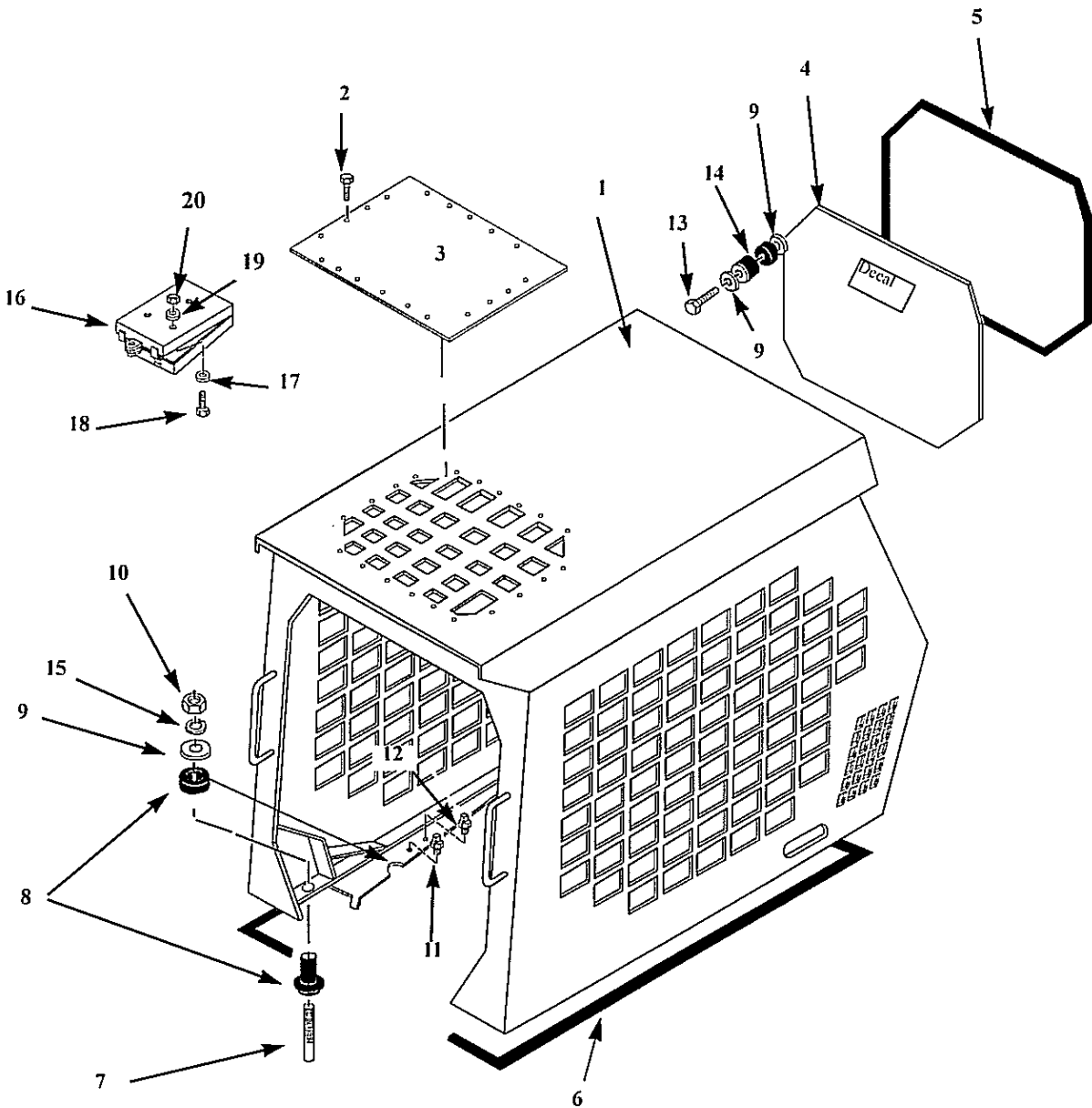
Pos NO.	No.	Qty	Description	1.7
32	2580	2	Bolt	
33	6086	2	Nut	
34	20856	6	Bolt	
35	20861	6	Washer	
36	23385	6	Washer	
37	1673	4	Bolt	
38	1642	4	Washer	
39	8280	2	Bolt	
40	961548	1	Engine Cover	
41	39557	4	Pivot Clamp	
42	39556	2	Clamp Cover	
43	17422	2	Bolt, Pivot Clamp	
44	261	1"	Rubber	

# Insulation



Pos NO.	Part No.	Qty	Description
1	41708	1	ROPS Shield, LH
2	38842	1	LH Side TRANS Rear
3	38864	1	ROPS Side LH
4	41710	1	Seat Mount
5	38840	1	Step Shield, Top
6	38839	1	Step Shield, Front
7	38845	1	RH Side, TRANS Front
8	41712	1	Front Bulkhead
9	41713	1	Front Shield, LH
10	41711	1	Front Bulkhead, Bottom
11	41714	1	Front Shield, RH
12	38841	1	Front Frame
13	38844	1	LH Side, TRANS Front
14	41709	1	ROPS Shield, RH
15	38865	1	ROPS Side, RH
16	38843	1	RH Side, TRANS Rear
17	41752	1	Pump Mount
18	41753	1	Panel Access
19	42448	1	Outer Blanket
20	42447	1	Battery Box Blanket
21	39024	1	Battery Box Cover
22	38862	1	ROPS, Rear Bottom
23	38863	1	ROPS, Rear Window

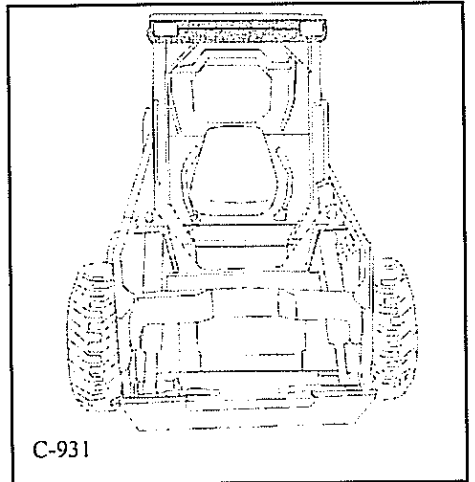
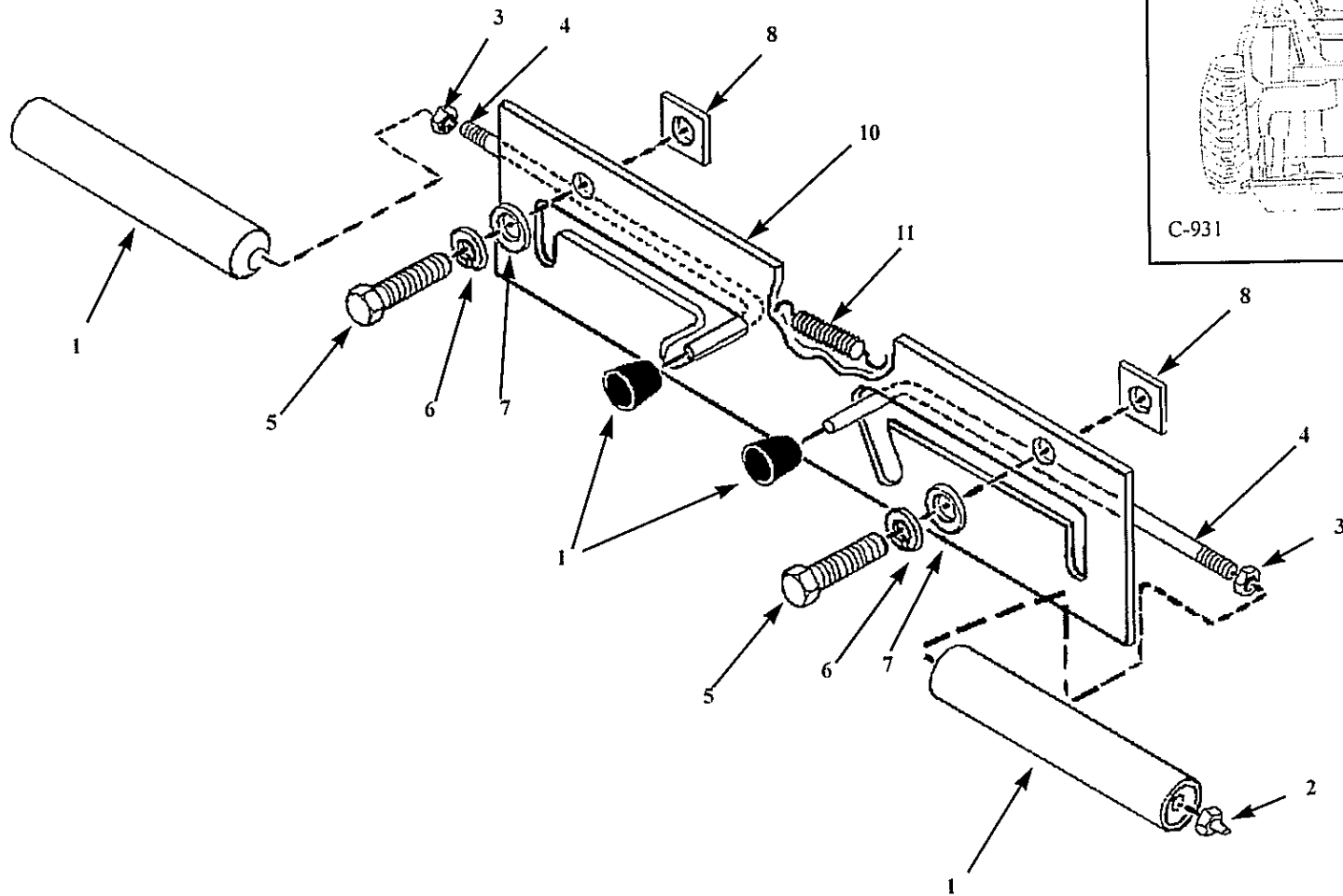
ROPS Assembly



Pos NO.	Part No.	Qty	Description
1	961508	1	ROPS Frame
2	31744	12	Bolt
3	37808	1	Top Window
4	39025	1	Rear Window with Decal
5	15750	AR	Weather Strip, Window Seal
6	15931	AR	Weather Strip, Bottom of Cab
7	17633	4	ROPS Mounting Stud
8	38561	4	Isolator, Neoprene
9	23452	A/R	Washer, Snubbing
10	25091	4	Nut
11	39537	1	Plug
12	39126	1	Plug
13	1248	1	Bolt
14	38560	1	Isolator, Rear Cab
15	1647	4	Locking Washer
16	40737	1	Manual Holder
17	1650	3	Washer
18	2663	3	Bolts
19	18455	3	Washer
20	6645	3	Nut

# Boom Supports

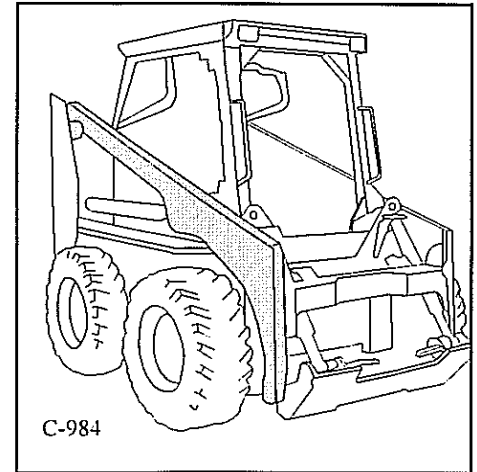
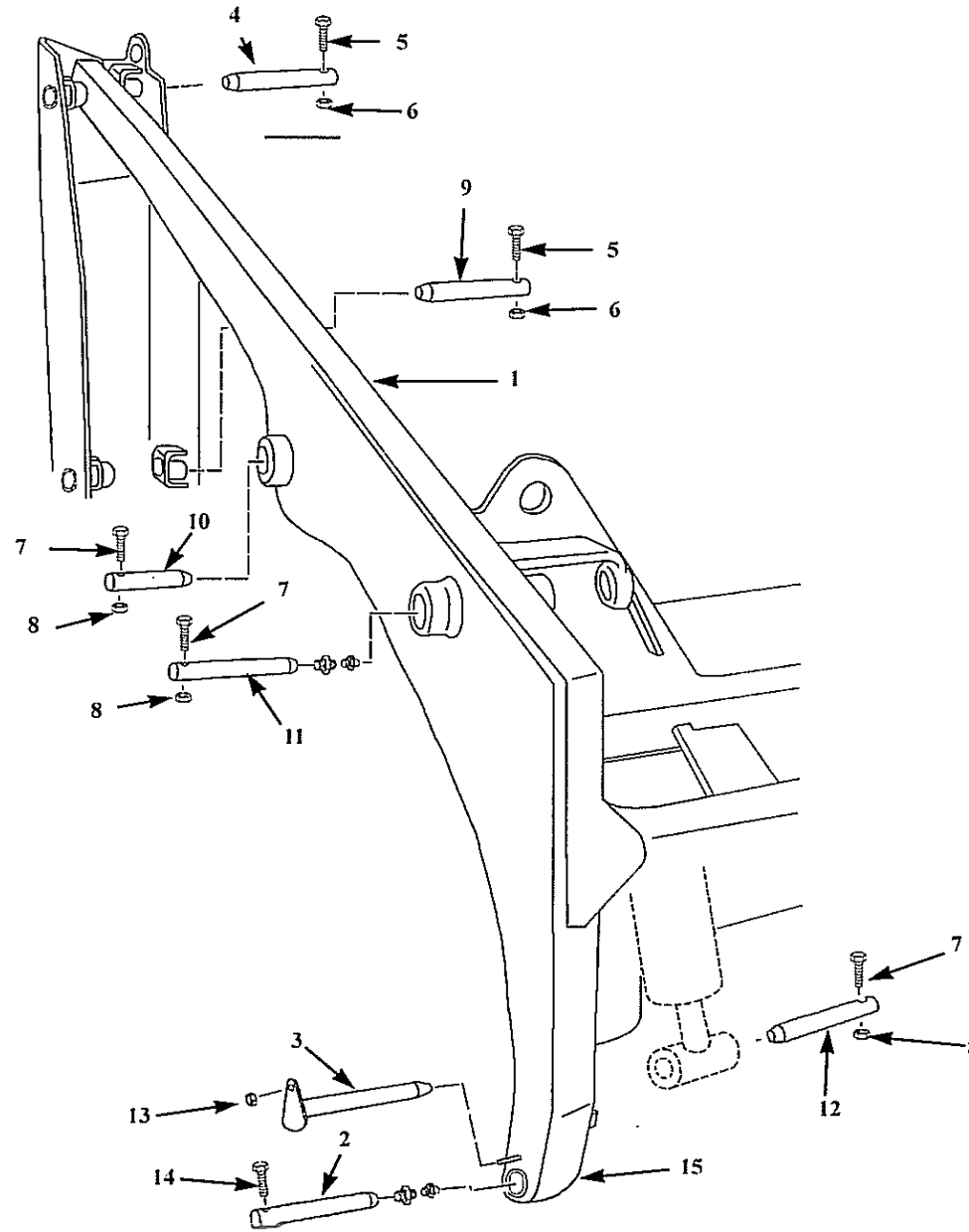
1.10



Pos NO.	Part No.	Qty	Description	1.10
1	42284	2	Pin, Boom Support	
2	35449	2	Grease Fitting	
3	1350	2	Nut	
4	40337	2	Bar, Pin Handle	
5	2593	2	Bolt	
6	6356	2	Washer	
7	1650	2	Washer	
8	6086	2	Captive Nut	
9	39546	2	Knob, Tapered, Red	
10	38797	1	Panel, Boom Support	
11	42491	1	Spring	

# Pivot Pins

1.11

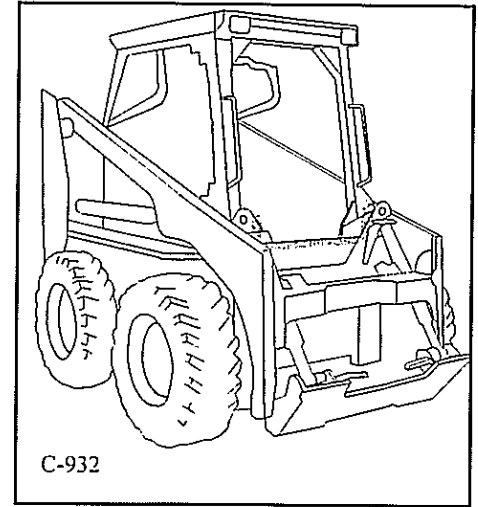
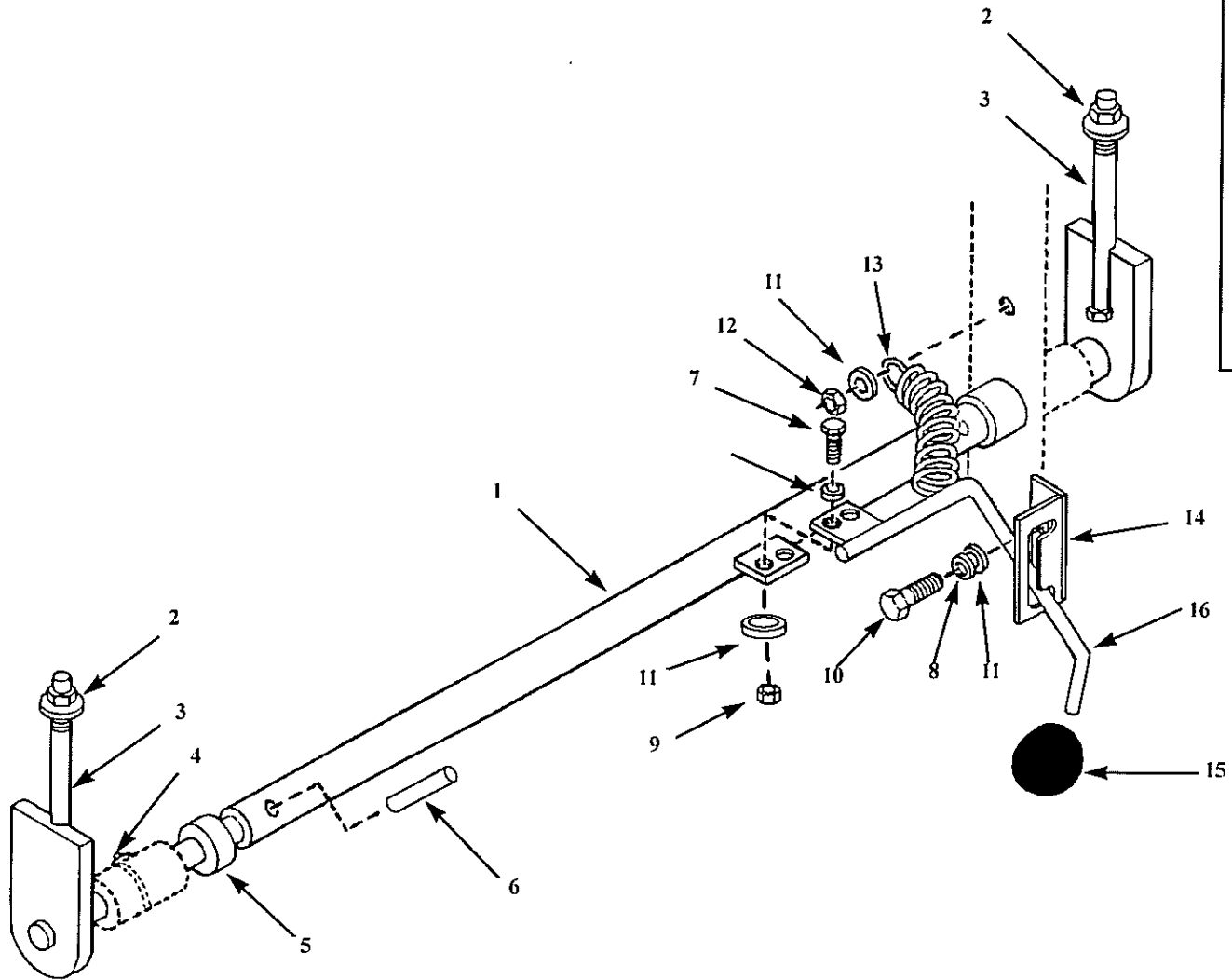




Pos NO.	Part No.	Qty	Description
1	961488		Lift Arm Assy
2	41288	2	Pin, Standard
3	961452	2	Pin, Universal
4	40011	2	Lift Arm Hinge Pin
5	1671	2	Bolt
6	7465	2	Nut
7	7458	8	Bolt
8	16771	10	Nut
9	40012	2	Lift Cylinder Rear Pin
10	29245	2	Lift Arm Lift Pin
11	41632	1	Tilt Cylinder Hinge Pin
12	41289	2	Std. Q-Tach tilt pin
12	41324	2	Universal Q-Tach tilt pin
13	8613	2	Nut
14	7458	2	Bolt
15	41410	2	Hardened Bushings

# Boom Lockdown

1.12



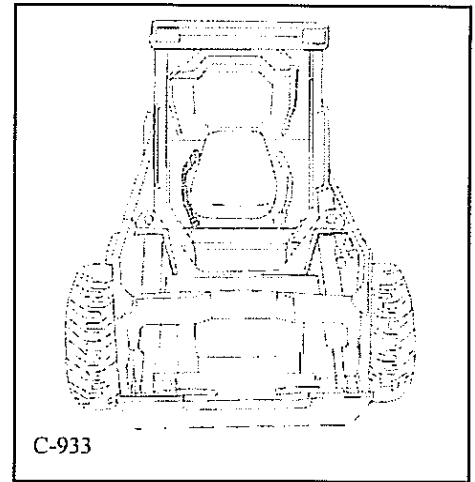
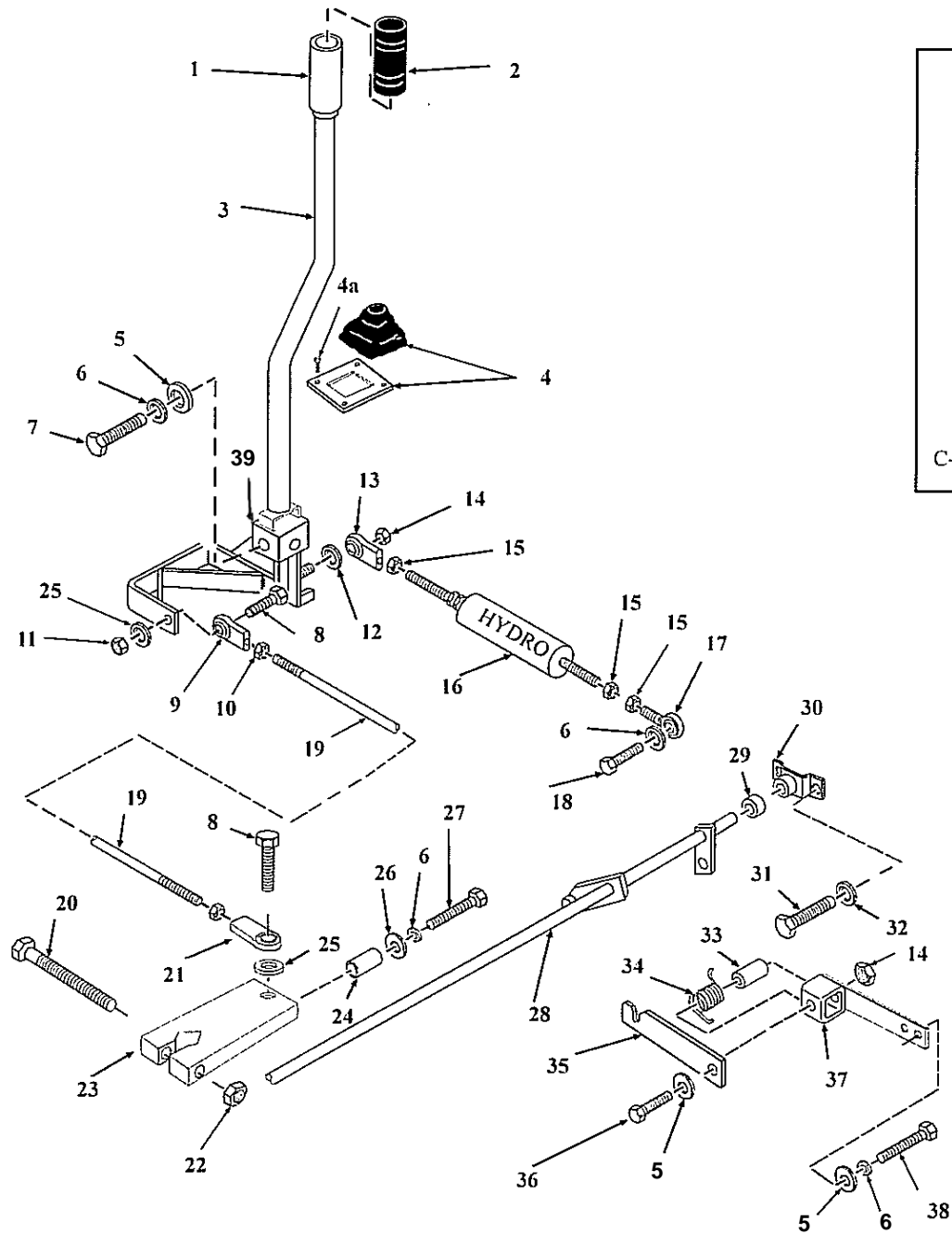
Pos NO.	Part No.	Qty	Description
1	958724	1	Lockdown Connecting Assy
2	958722	2	Lockdown Nut Assy
3	961510	2	Lockdown Assy
4	35449	4	Grease Fitting
5	1064	2	Set Collar
6	21004	2	Spring Pin
7	5170	2	Bolt
8	2279	4	Lock Washer
9	6645	2	Nut
10	2663	2	Bolt
11	1650	6	Washer Flat
12	6645	1	Nut
13	22470	1	Spring
14	40323	1	Control Rod Guide
15	39199	1	Knob, Red Ball
16	960851	1	Control Rod Assy

## CONTROLS 2.

Control Levers (R.H. Side).....	2.1
Control Levers (L.H. Side).....	2.2
Control Levers (R.H. Side)....Hand.....	2.3
Control Levers (L.H. Side)....Hand.....	2.4
Foot Pedals.....	2.5
Throttle.....	2.6
Restraint Bar and Brake Cable.....	2.7
Control Handle with Switch. LH.....	2.8

## Control Lever (RH Side)

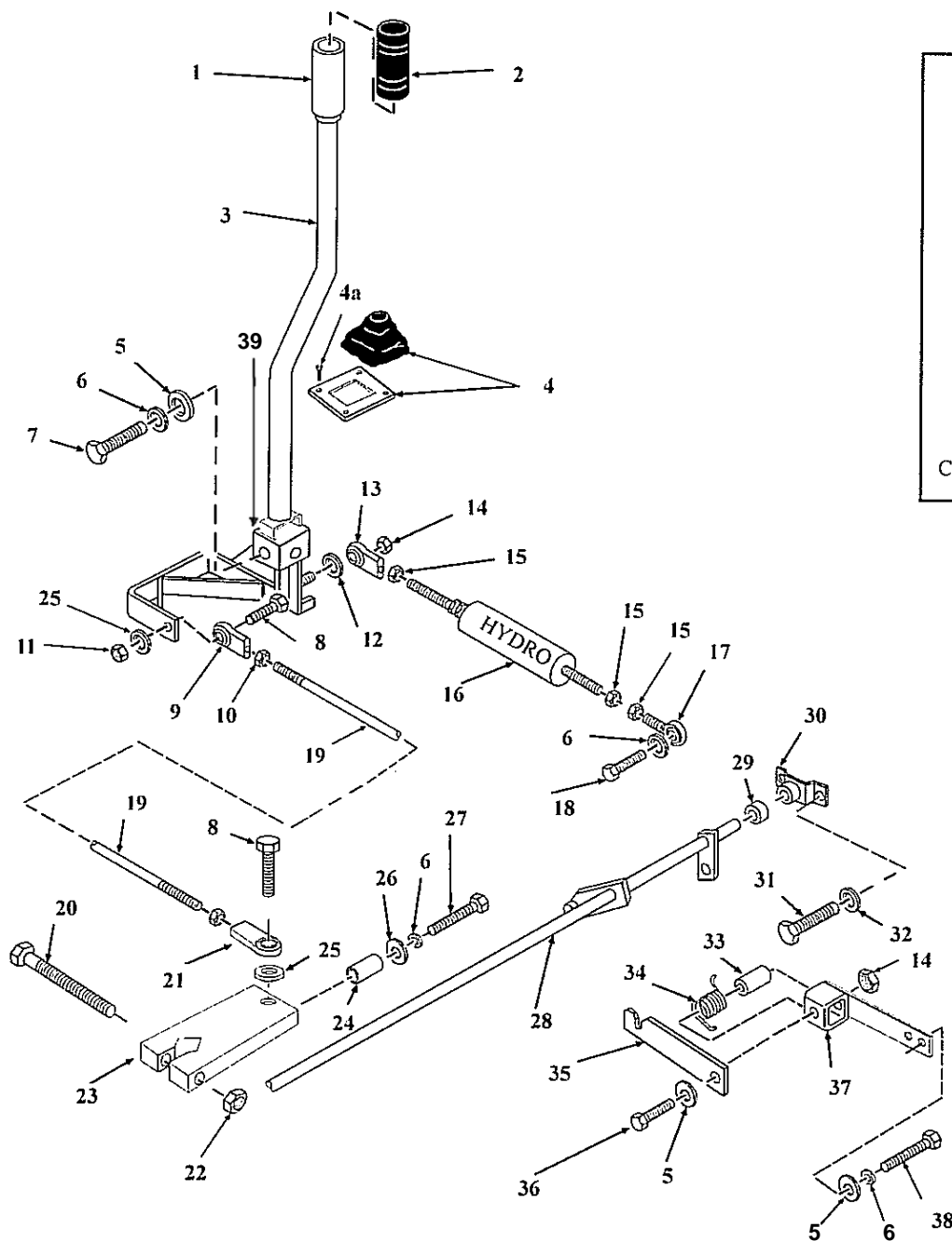
2.1



Pos NO.	Part No.	Qty	Description
1	961303	1	Lever, Handle Assy
2	3189	1	Grip, Lever
3	961741	1	Control Lever Assy, RH
4	30501	1	Boot, Neoprene
4a	31744	4	Screw To LM0000147
4a	21907	4	Screw LM000142 and 148 onward
5	1643	4	Washer
6	1642	5	Washer
7	1673	1	Bolt
8	1668	2	Bolt
9	42207	1	Rod End Assy, Female
10	5406	1	Nut
11	6393	1	Nut
12	21174	1	Washer
13	5803	2	Rod End Assy
14	7465	2	Nut
15	1898	2	Bolt,
16	959090	1	Hydroback Assy
17	15880	1	Rod End Assy
18	1387	1	Bolt
19	42204	1	Bar, RH Pintle
20	1675	1	Bolt To LM0000 213
20	1677	1	Bolt LM000214 onward
21	42208	1	Rod End Assy, Female LH
22	42211	1	Nut
23	961743	1	Pintle Lever Assy To LKM000213
23	961928	1	Pintle Lever Assy LKM000 214 onward
24	37854	1	Spacer
25	6394	2	Washer

# Control Lever (RH Side)

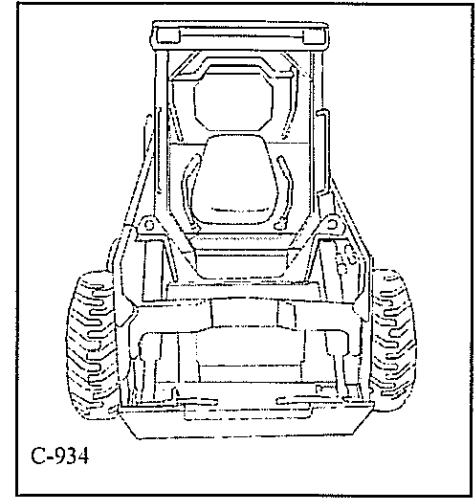
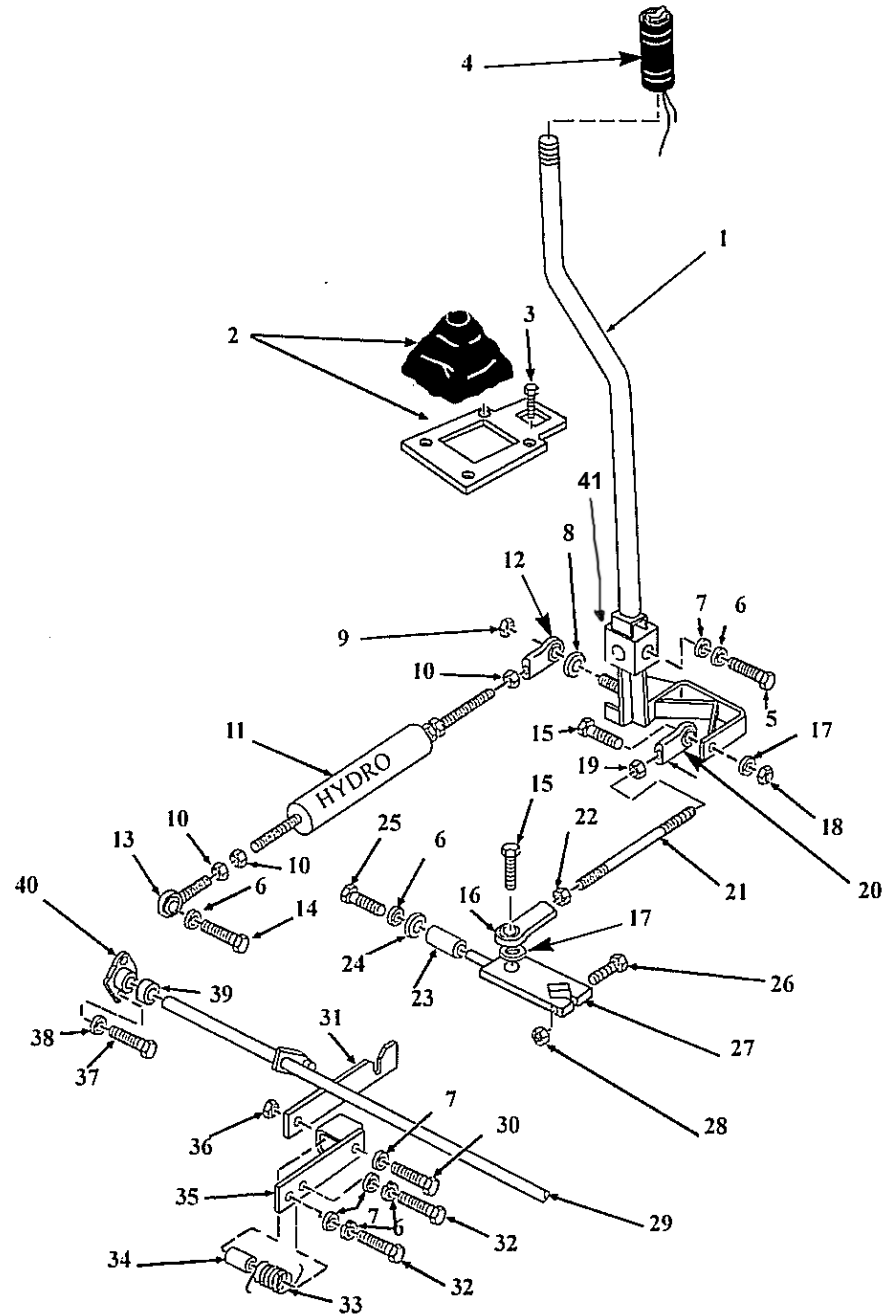
2.1



Pos NO.	Part No.	Qty	Description
26	29384	1	Washer
27	1364	1	Bolt
28	960840	1	Pintle Unlock Shaft Assy
29	29066	1	Collar, Set
30	29065	1	Bearing
31	2663	2	Bolt
32	2279	2	Washer
33	23012	1	Bushing
34	956137	1	Spring
35	29982	1	Lock Arm Straight
36	14620	1	Bolt
37	960836	1	Pivot, Assy, RH
38	1193	2	Bolt
39	005893	2	Brass bushing, Short

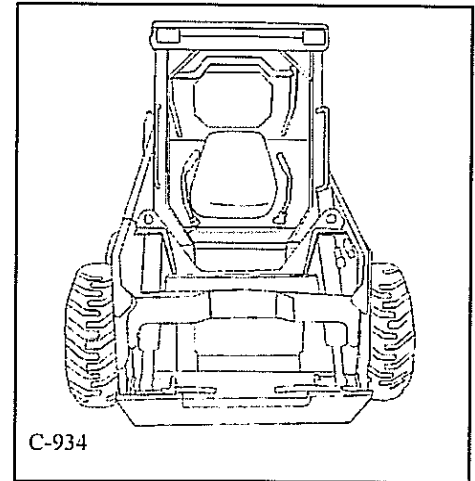
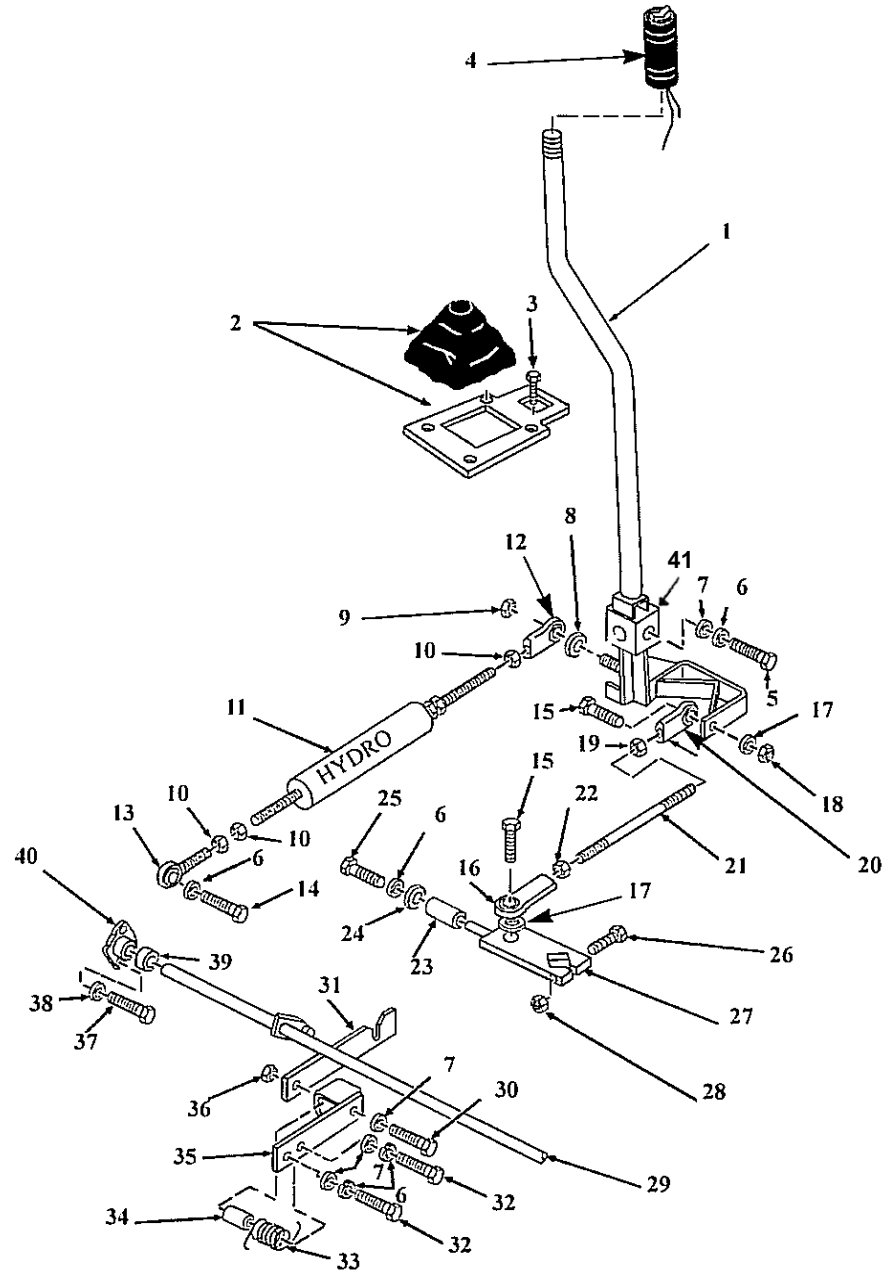


# Control Lever (LH Side)



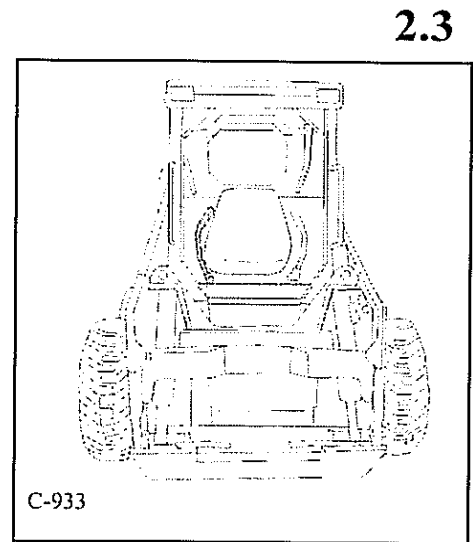
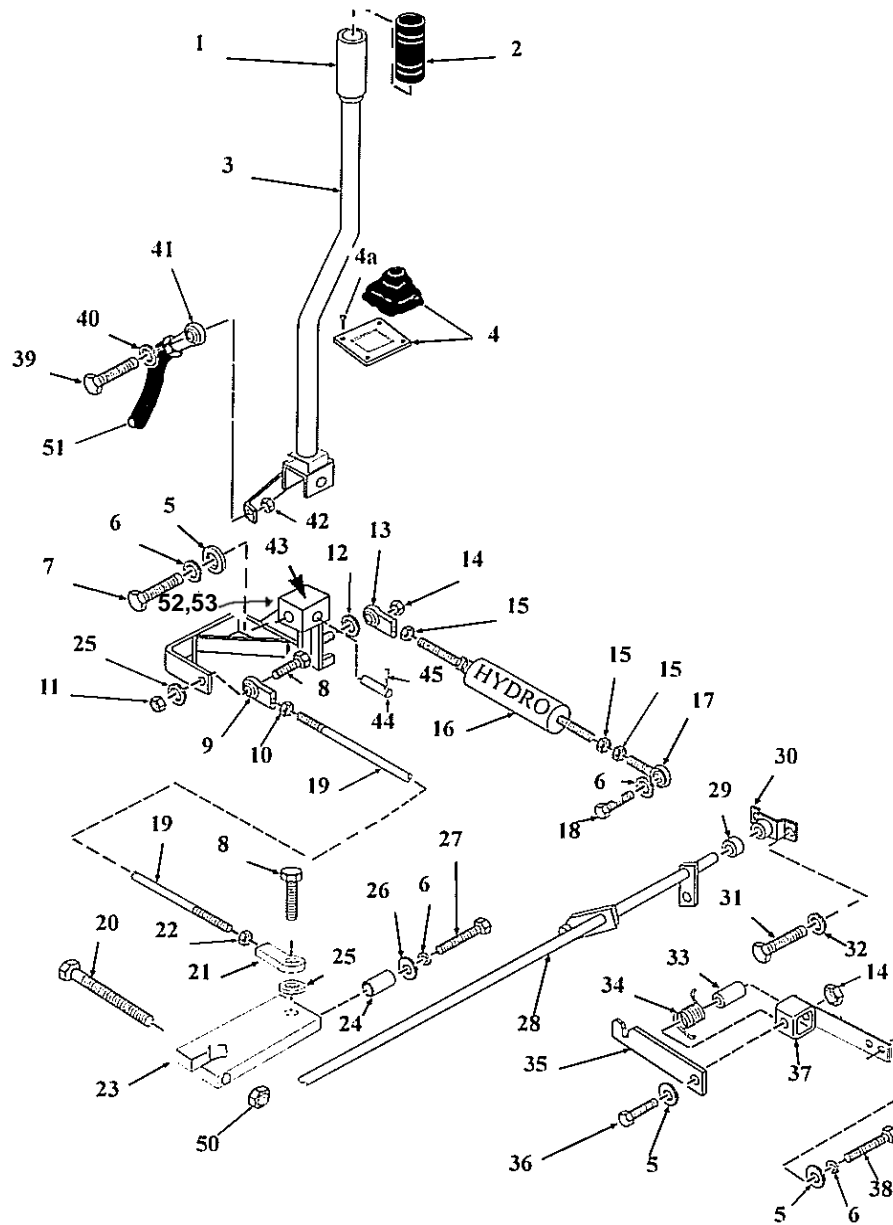
Pos NO.	Part No.	Qty	Description
1	961740	1	LH Control Lever Assy
2	30501	1	Boot, Neoprene, 4 1/4 IN. L
3	31744	4	Screw To LM000147
3	21907	4	Screw LM000142 and 148 onward
4	40960	1	Handle, Grip, W Rocker Switch, <b>rubber boot-038357, switch-038412</b>
5	1673	1	Bolt
6	1642	5	Washer
7	1643	4	Washer
8	21174	1	Washer
9	7465	2	Nut
10	1898	2	Nut
11	959090	1	Hydroback Assy
12	5803	1	Rod End Assy
13	15880	1	Rod End Assy
14	1387	1	Bolt
15	1668	2	Bolt
16	42208	1	Rod End Assy
17	6394	3	Washer
18	6393	1	Nut
19	5406	1	Nut
20	42207	1	Rod End Assy
21	42205	1	Bar
22	42211	1	Nut
23	37854	1	Bar
24	29384	1	Washer
25	1364	1	Bolt
26	1675	1	Bolt to LM000213
26	1677	1	Bolt. LM000214 onward
27	961743	1	Pintle Lever Assy to LM000213
27	961928	1	Pintle Lever Assy LKM000214 onward

Control Lever (LH Side)



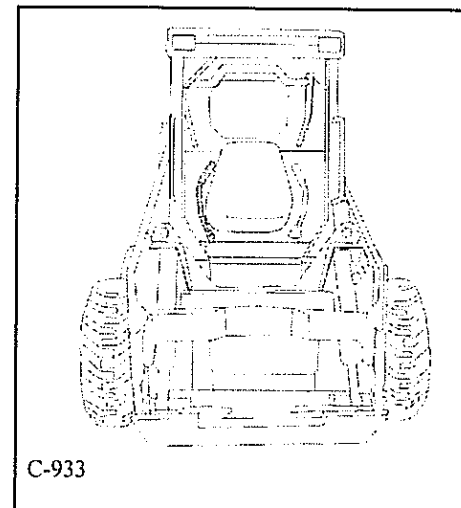
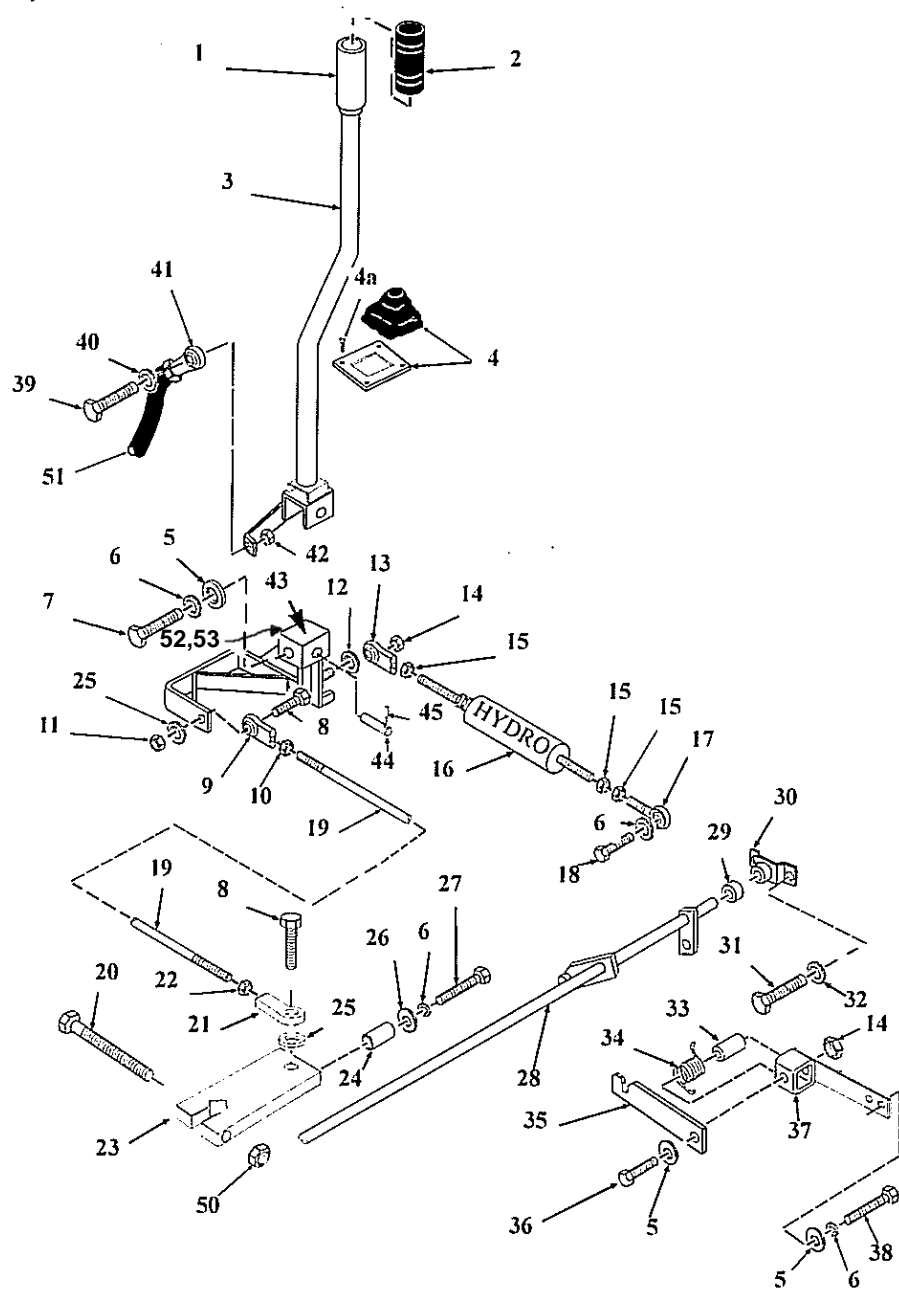
Pos NO.	Part No.	Qty	Description
28	16771	1	Nut
29	960840	1	Pintle
30	14620	1	Bolt
31	29982	1	Sheet, Lock Arm Straight
32	1193	2	Bolt
33	956137	1	Spring
34	23012	1	Bushing
35	960837	1	Pivot Assy, LH
36	2663	2	Bolt
37	2279	2	Washer
38	29066	2	Collar Set
39	29065	1	Bearing
40	960837	1	Pivot Assy LH
41	005893	2	Brass bushing, Short

# Hand Control Lever (R H Side) Hand



Pos NO.	Part No.	Qty	Description
1	961303	1	Lever, Handle Assy
2	3189	1	Grip, Lever
3	961739	1	Control Lever Assy, RH
4	42229	1	Lever, Boot Cover, RH
4a	31744	4	Screw To LM0000147
4a	21907	4	Screw LM000142 and 148 onward
4b	30501	1	Boot, Neoprene
5	1643	4	Washer
6	1642	5	Washer
7	1673	1	Bolt
8	1668	2	Bolt
9	42207	1	Rod End Assy, Female
10	5406	1	Nut
11	6393	1	Nut
12	21174	1	Washer
13	5803	1	Rod End Assy
14	7465	1	Nut
15	1898	2	Bolt
16	959090	2	Hydroback Assy
17	15880	1	Rod End Assy
18	1387	1	Bolt
19	42204	1	Bar
20	1675	1	Bolt. To LM0000213
20	1677	1	Bolt LM000214 onward
21	42208	1	Rod End Assy, Female LH
22	42211	1	Nut
23	961743	1	Pintle Lever Assy To LM000213
23	961928	1	Pintle Lever Assy LM000214 onward

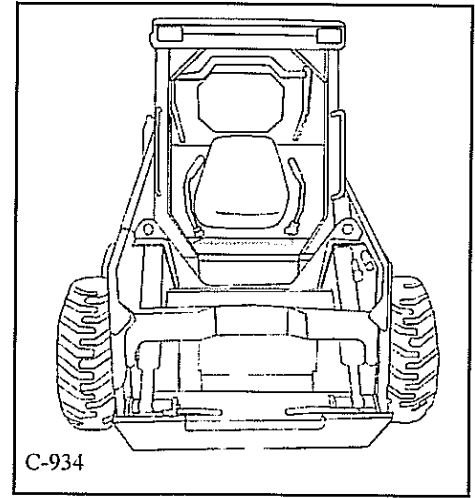
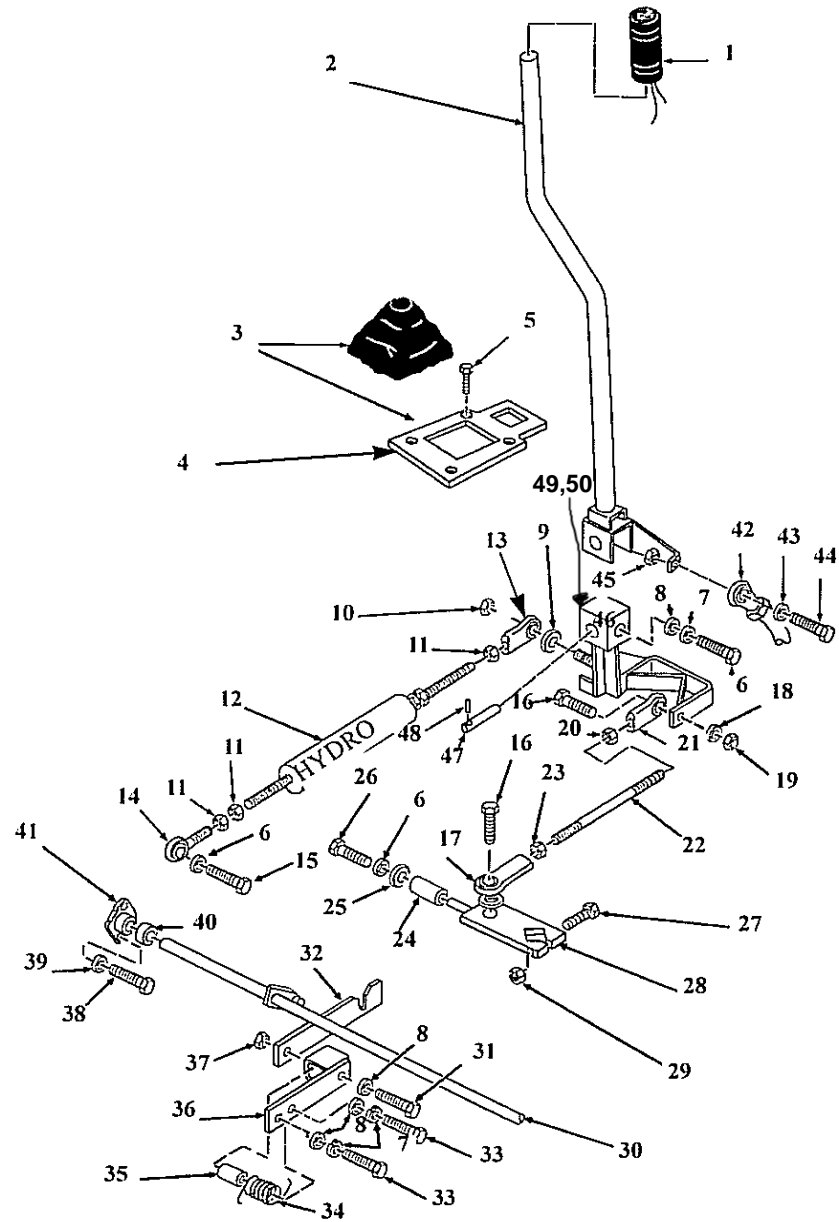
# Hand Control Lever (R H Side) Hand



Pos NO.	Part No.	Qty	Description
24	37854	1	Bar
25	6394	1	Washer
26	29384	1	Washer
27	1364	1	Bolt
28	960840	1	Pintle Unlock Shaft Assy
29	29066	1	Collar
30	29065	1	Bearing
32	2279	1	Washer
33	23012	1	Pivot, Bushing
34	956137	1	Spring
35	29982	1	Sheet
36	14620	1	Bolt
37	960836	1	Pivot, Assy, RH
38	1193	2	Bolt
*	42048	1	Cable
39	35883	1	Rod End Assy
40	25583	1	Washer
41	17421	1	Bolt
42	17432	1	Nut
43	961736	1	Swivel
44	35763	1	Pin
45	5896	1	Roller Pin
46	961707	1	Hand Control Step Shield
47	17429	2	Bolt
48	17439	2	Washer
49	17442	2	Washer
50	16771	1	Nut
51	42048	1	Cable, Push / Pull
*	36487	2	Eyelet, (Connect to Valve)
*	30044	2	Pin, Clevis
*	1630	2	Pin, Cotter
52	005893	2	Bearing, oilite
53	035863	1	Bearing, oilite

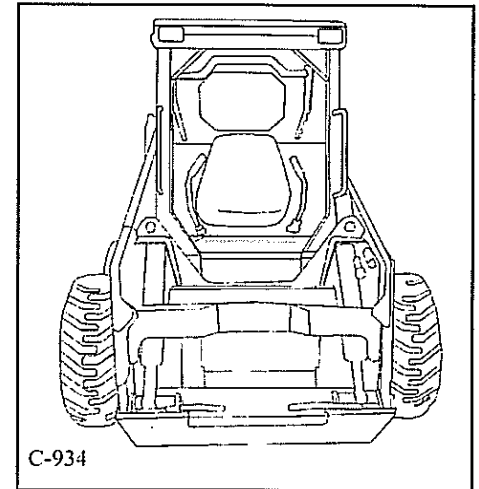
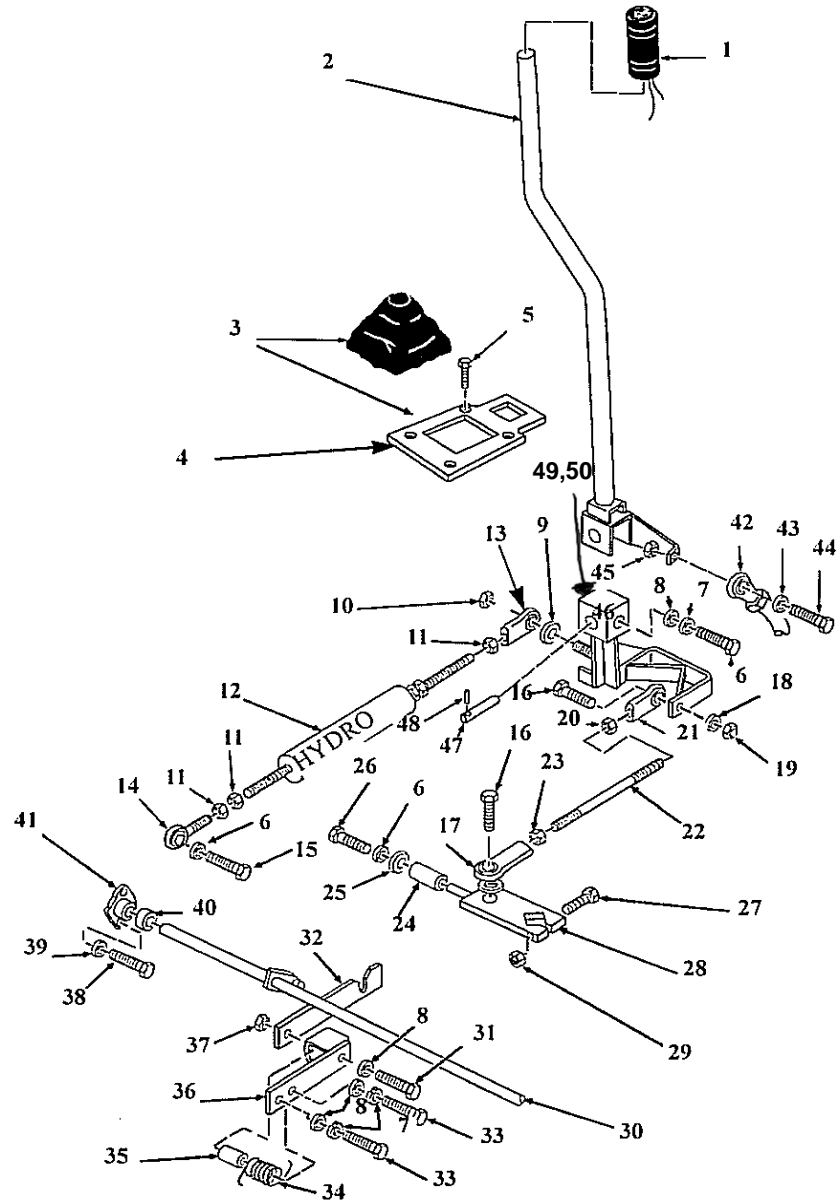


# Hand Control Lever (LH Side)



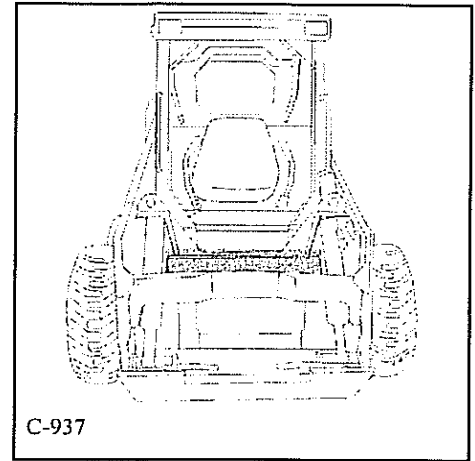
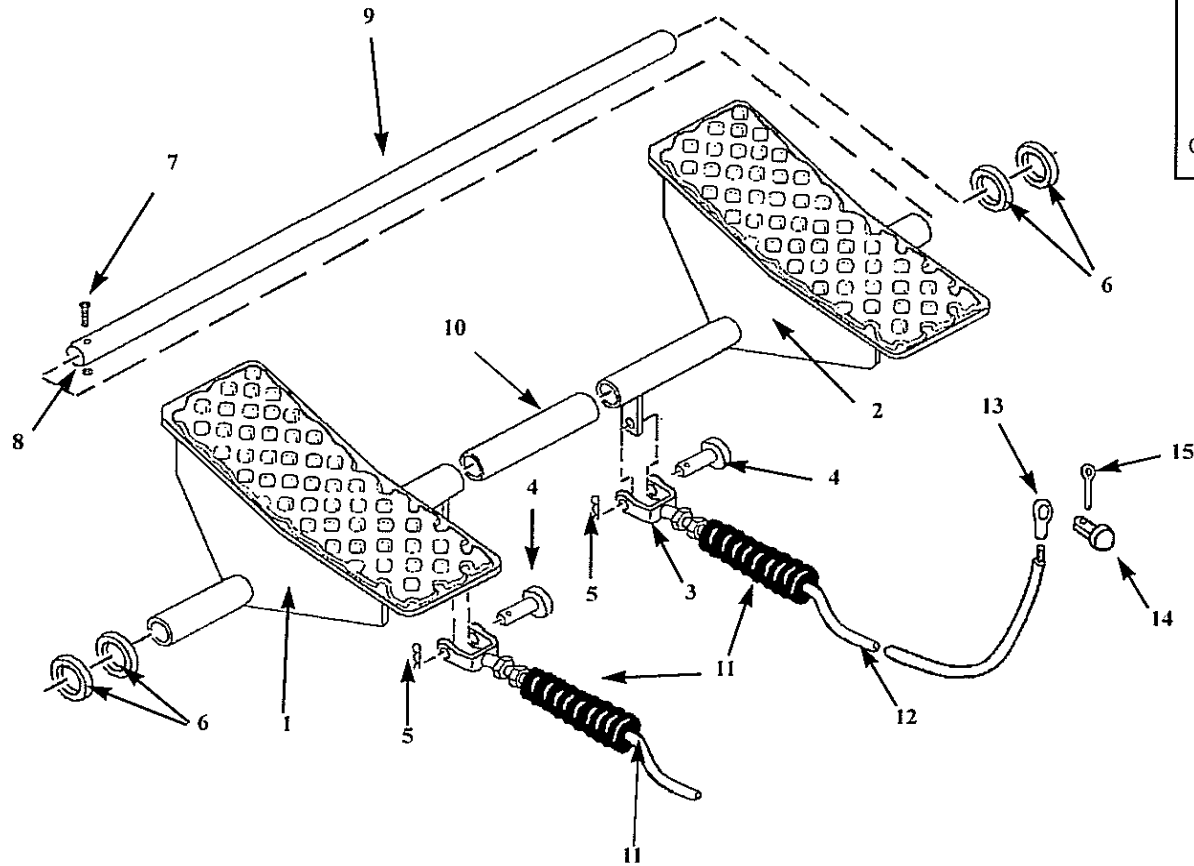
Pos NO.	Part No.	Qty	Description
1	40960	1	Handle, Grip, W Rocker Switch , <b>rubber boot-038357, switch-038412</b>
2	961738	1	Control Lever Assy
3	30501	1	Boot
4	42228	1	Sheet, Boot Cover, LH
5	31744	4	Screw To LM000147
5	21907	4	Screw LM000142 and 148 onward
6	1673	1	Bolt
7	1642	1	Washer
8	1643	1	Washer
9	21174	1	Washer
10	7465	1	Nut, Nylock
11	1898	1	Nut,
12	959090	1	Hydroback Assy
13	5803	1	Rod End Assy
14	15880	1	Rod End Assy
15	1387	1	Bolt
16	1668	1	Bolt
17	42208	1	Rod End Assy, Female
18	6394	1	Washer
19	6393	1	Nut
20	5406	1	Nut
21	42207	1	Rod End Assy
22	42205	1	Bar
23	42211	1	Nut
24	37854	1	Bar
25	29384	2	Washer
26	1364	1	Bolt
27	1675	1	Bolt To LM000213
27	1677	1	Bolt LKM000214 onward

# Hand Control Lever (LH Side)



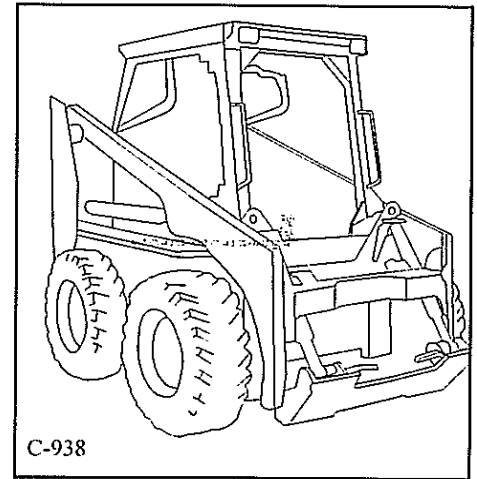
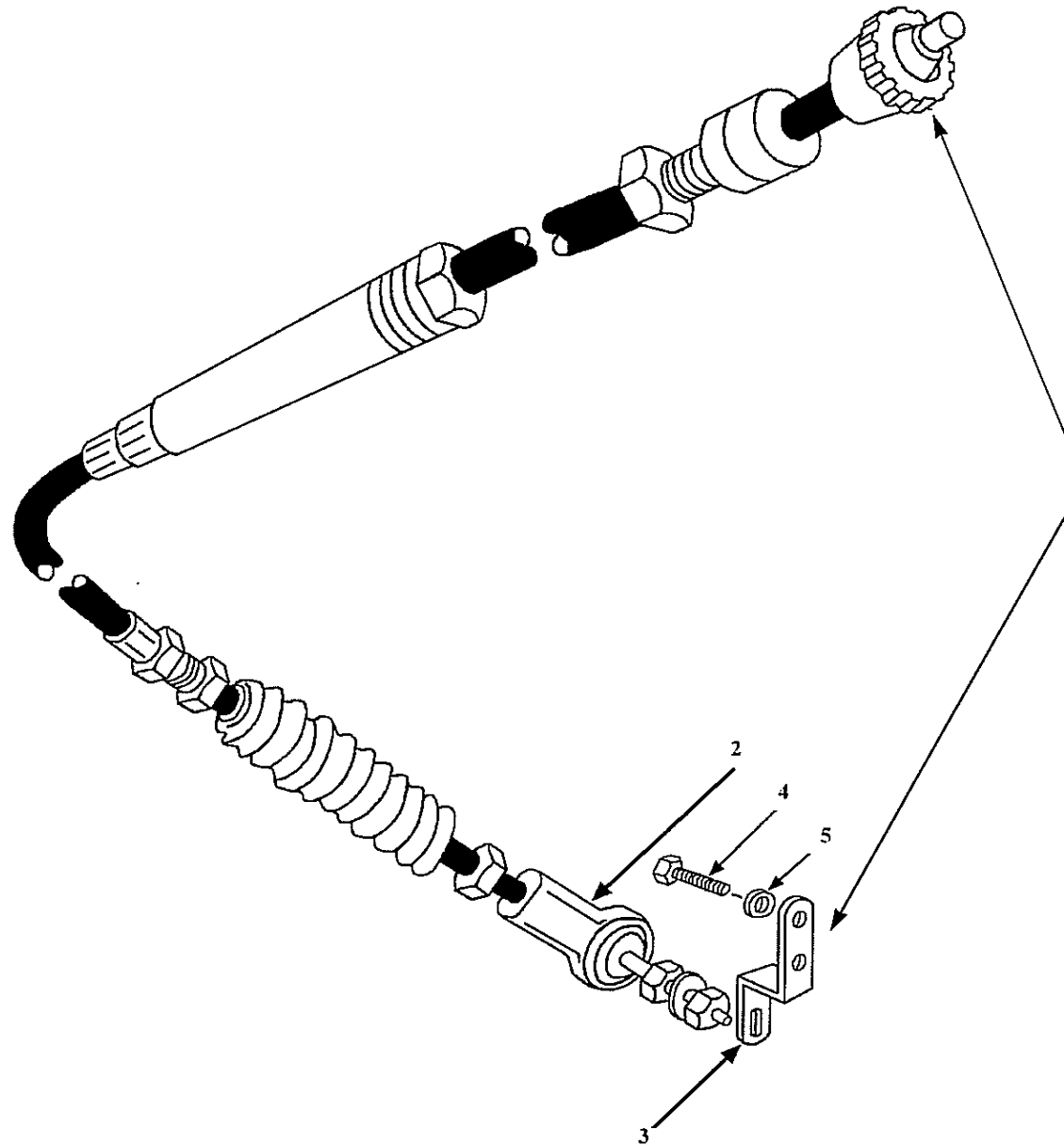
Pos NO.	Part No.	Qty	Description
28	961743	1	Pintle Lever Assy To LM000213
28	961928	1	Pintle Lever Assy LKM000214 onward
29	16771	1	Nut
30	960840	1	Pintle
31	14620	1	Bolt
32	29982	1	Sheet
33	1193	2	Bolt
34	956137	1	Spring
35	23012	1	Bushing
36	960837	2	Pivot Assy, LH
37	7465	1	Nut
38	2663	3	Bolt
39	2279	3	Washer
40	29066	1	Collar Set
41	29065	2	Bearing
42	35883	1	Rod End Assy
43	25583	1	Washer
44	17421	1	Bolt
45	17432	1	Nut
46	961736	1	Swivel
47	35763	1	Pin
48	5896	1	Roller Pin
49	005893	2	Bearing, oilite
50	035863	1	Bearing, oilite

# Foot Pedals



Pos NO.	Part No.	Qty	Description
1	960805	1	Pedal, Lift Assy
2	960806	1	Pedal, Tilt Assy
3	35884	1	Clevis
4	30044	1	Clevis Pin
5	1630	1	Cotter Pin
6	17516	AR	Washer
7	25589	1	Bolt
8	17432	4	Nut
9	41189	3	Bar
10	35855	1	Spacer
11	43136	2	Kit, Boot, Control Cable
12	42048	2	Cable, Push / Pull
13	36487	4	Eyelet (connect at valve)
14	30044	4	Pin, Clevis
15	1630	4	Cotter Pin

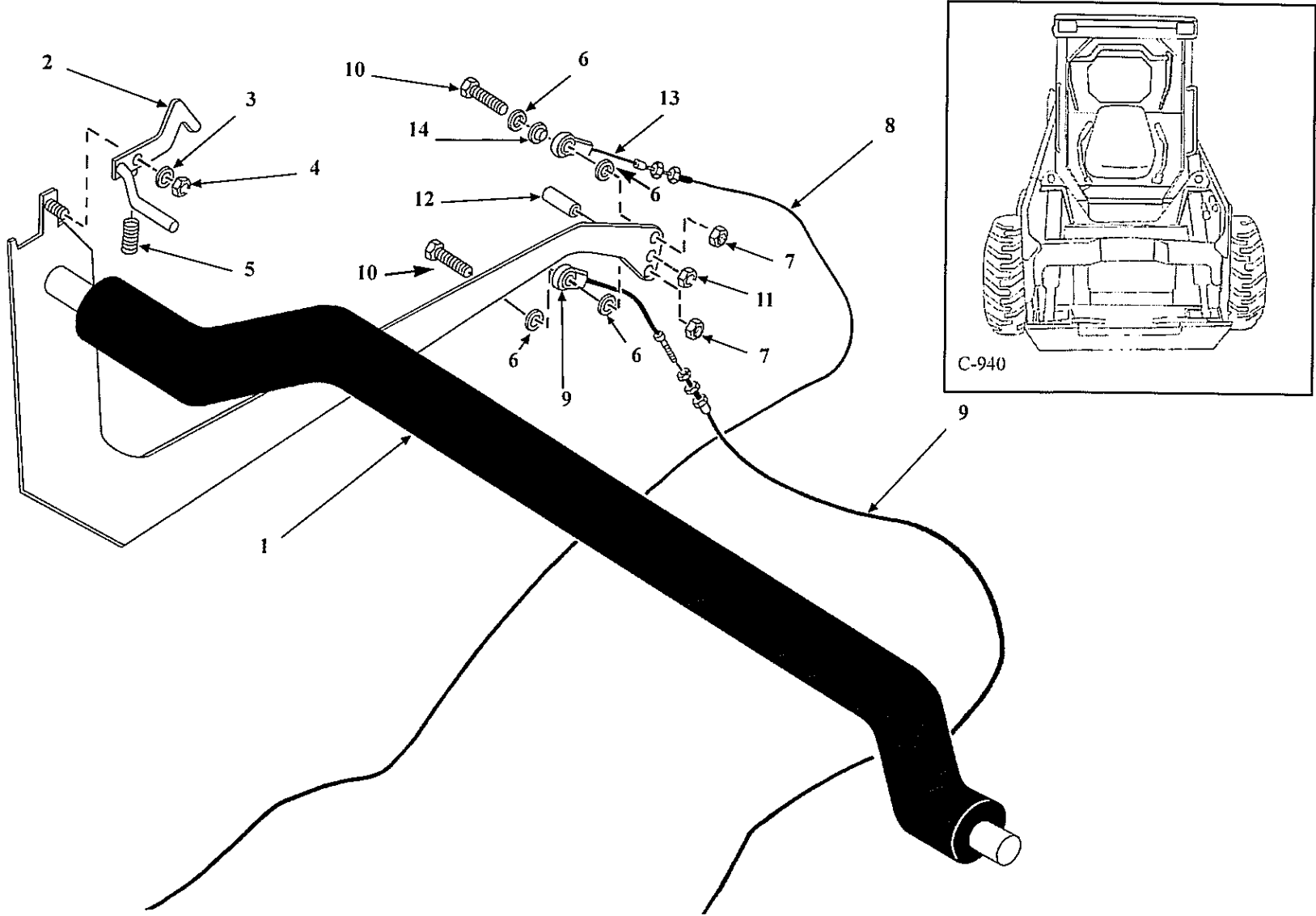
Throttle



Pos NO.	Part No.	Qty	Description
1	42046	1	Throttle, Cable
2	42047	1	Joint, Ball Socket
3	41849	1	Bracket, Throttle Extension
4	23771	2	Bolt
5	21320	2	Washers

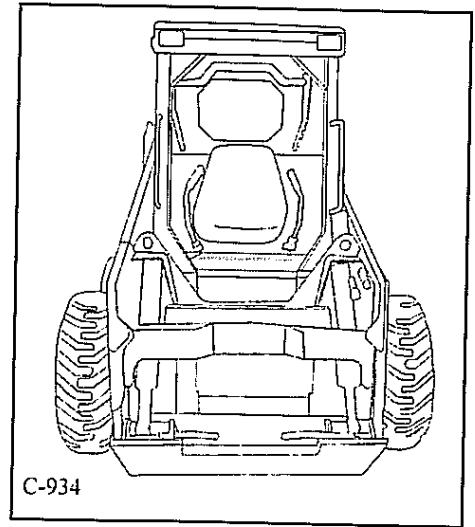
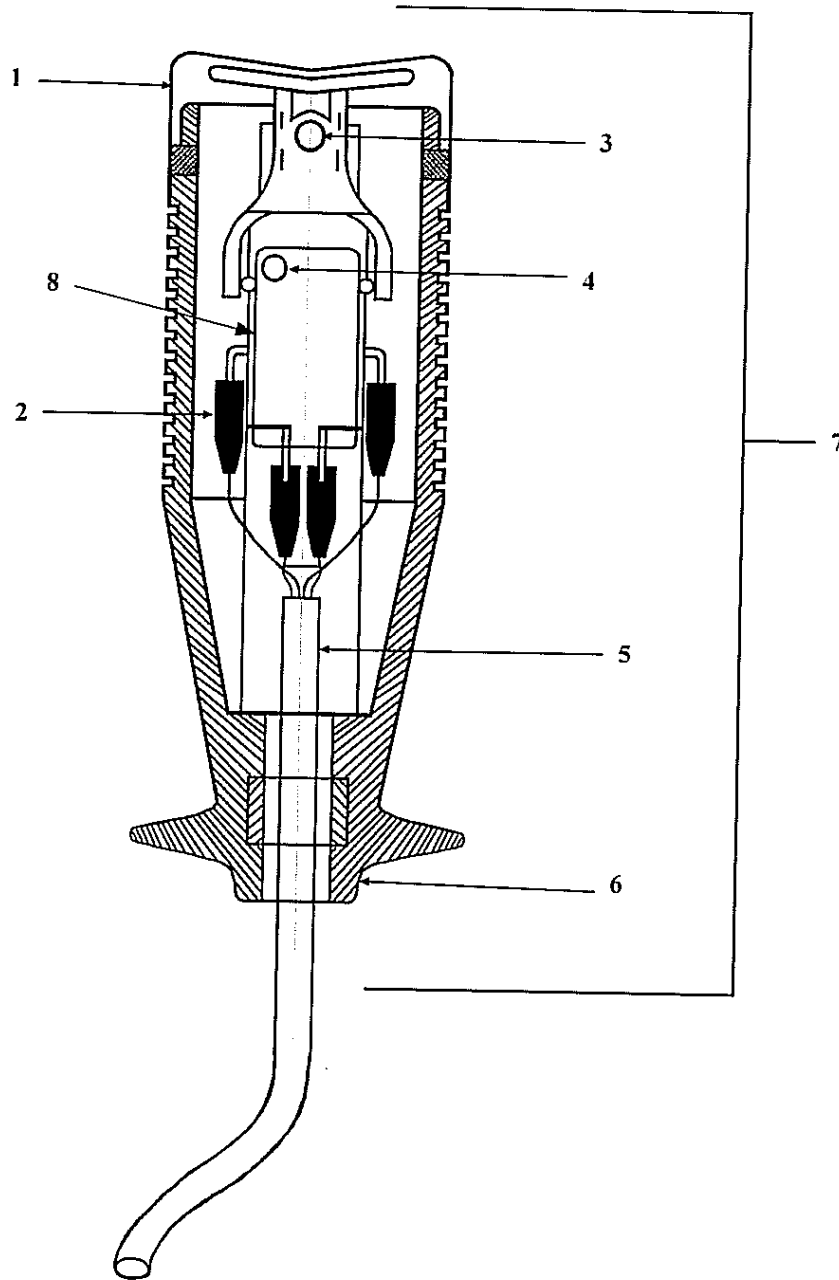


Restraint Bar



Pos NO.	Part No.	Qty	Description
1	961742	1	Restraint Bar Assy
2	960497	2	Latch Assy RH 960498-Latch Assy, LH
3	1650	2	Washer
4	6645	2	Nut
5	38834	2	Spring
6	1650	6	Washer
7	6645	2	Nut
8	42443	1	Cable
9	38553	2	Cable
10	5170	2	Bolt
11	8613	2	Nut
12	40320	1	Spacer
13	41402	2	Rod End
14	41042	1	Spacer

# Control Handle with Switch

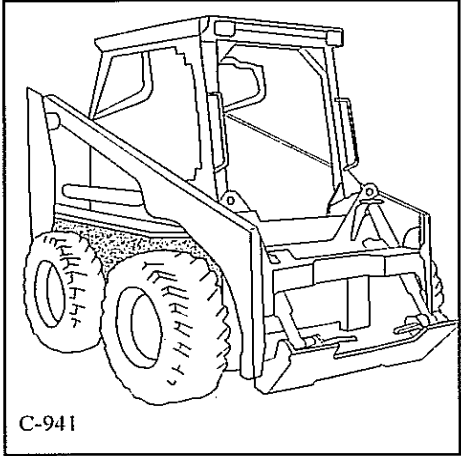
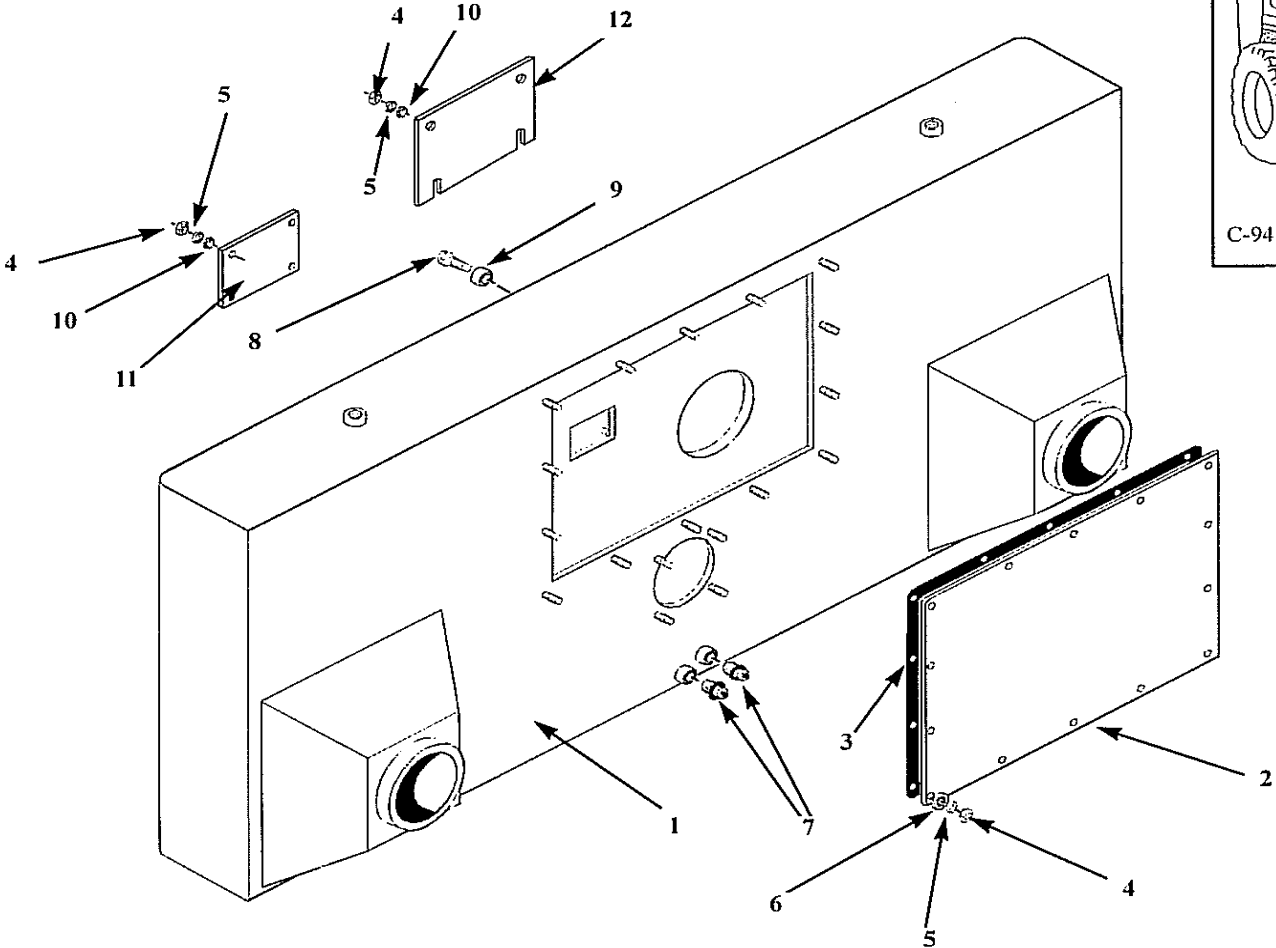


Pos NO.	Part No.	Qty	Description
1	38357	1	Rubber Boot, Cover
2	38411	1	Pin Kit
3	38409	1	Equalizer and Pin
4	38410	1	Pin Kit
5	38413	1	Cable Assembly
6	38414	1	Body Assembly
7	40960	1	Control Handle Complete
8	38412	2	Switch in Handle (micro)

**FINAL DRIVE TRANSMISSION 3.**

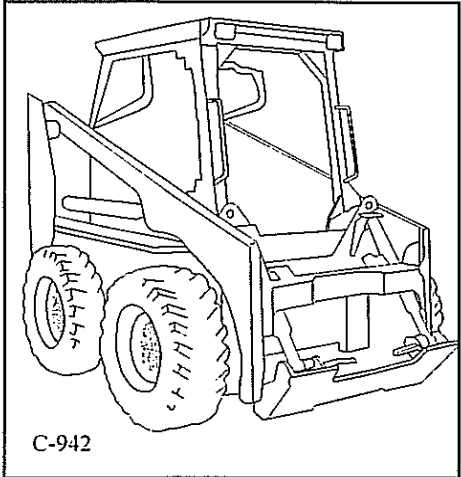
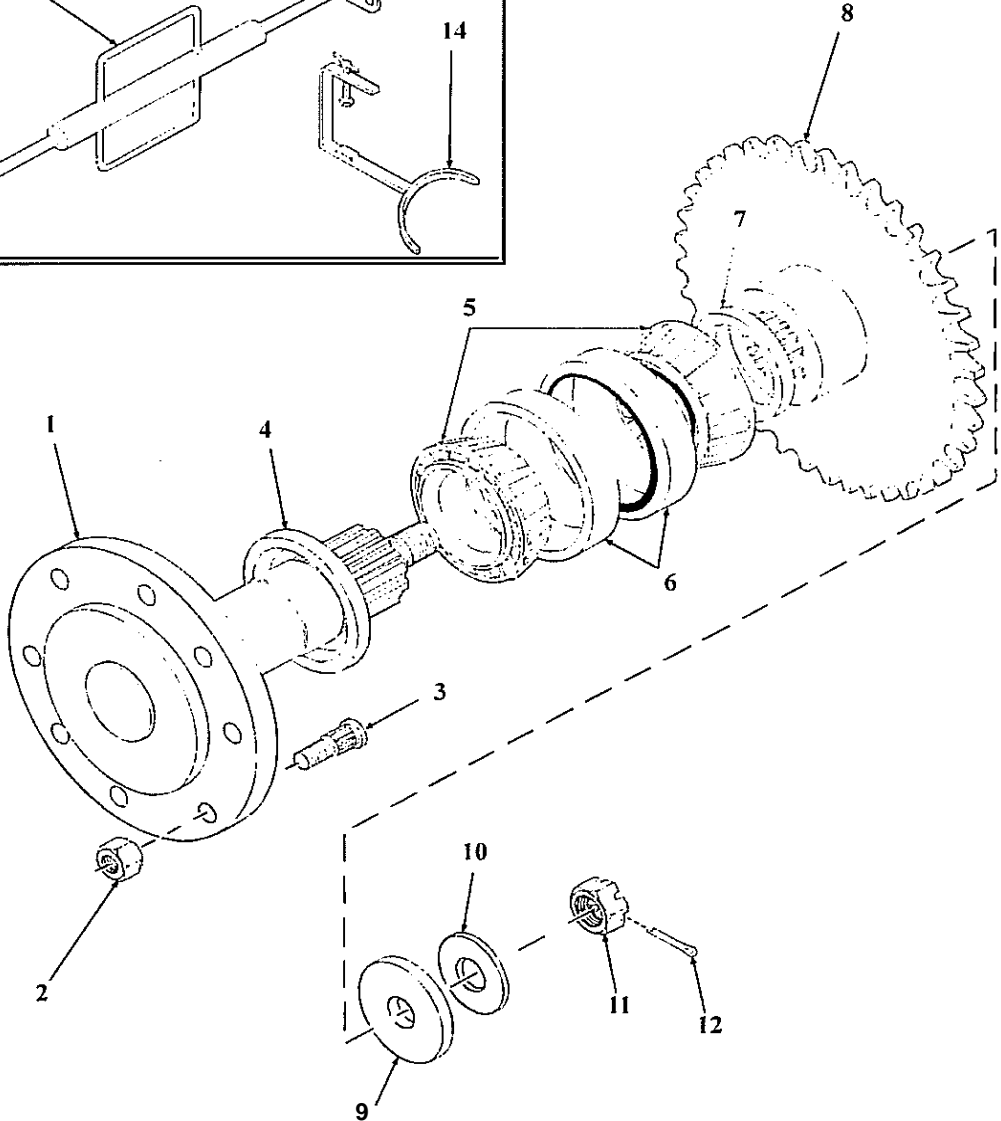
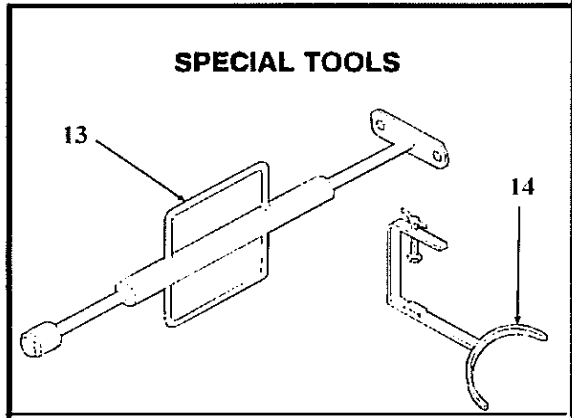
Transmission Housing..... 3.1  
Axle Assembly..... 3.2  
Idler Sprocket and Drive Chains..... 3.3  
Parking Brake..... 3.4

Transmission Housing



Pos NO.	Part No.	Qty	Description
1	961389	1	LH Transmission Assy
1	961388	1	RH Transmission Assy
2	31262	2	Inspection Cover
3	20901	AR	Inspection Cover Gasket
4	1191	36	Nut
5	1870	36	Springwasher
6	1651	36	Flatwasher
7	10516	4	Drain Plug
8	952766	2	Breather, Bushing
9	6377	2	Cap
10	1651	36	Flat Washer
11	25879	2	Cover Plate
12	26315	2	Cover Plate

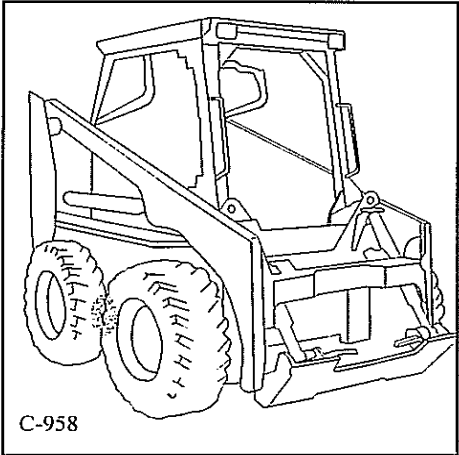
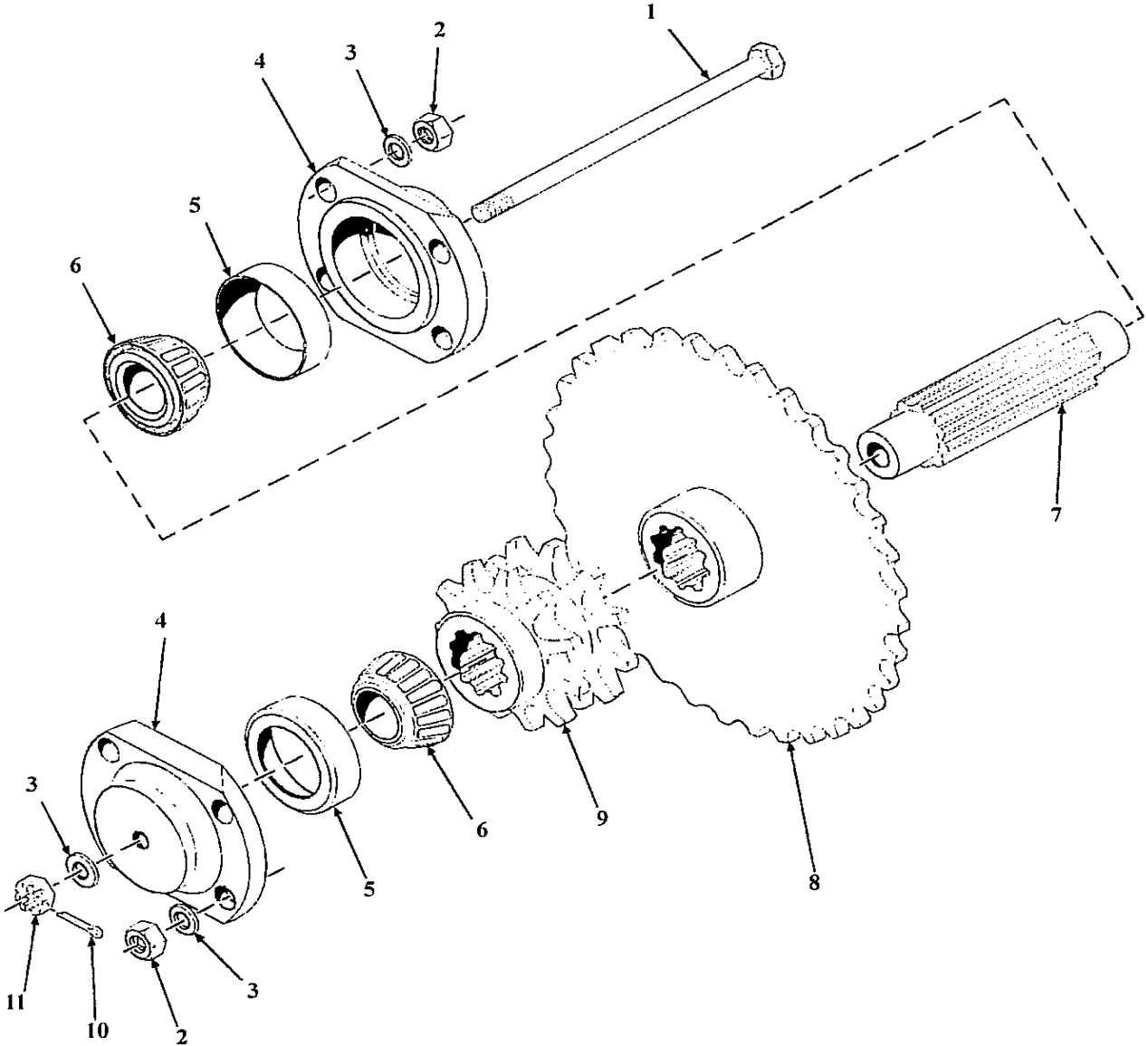
Axle Assembly





Pos NO.	Part No.	Qty	Description
1	957785	1	Axle Assy with Studs
2	5832	8	Wheel Nuts
3	26188	8	Wheel Studs
4	29029	1	Seal
5	26509	2	Bearing, Cone
6	26510	2	Bearing, Cup
7	25618	1	Axle Spacer
8	26042	1	Sprocket
9	29361	1	Axle Spacer
10	22448	2	Axle Washer
11	14877	1	Castle Nut
12	1634	1	Split Pin
13	957372	1	Axle Puller
14	958674	2	Seal Installation Tool

Idler Sprocket and Drive Chains



Pos NO.	Part No.	Qty	Description
------------	-------------	-----	-------------

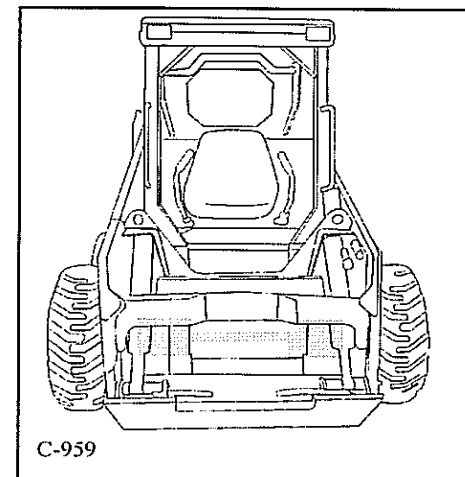
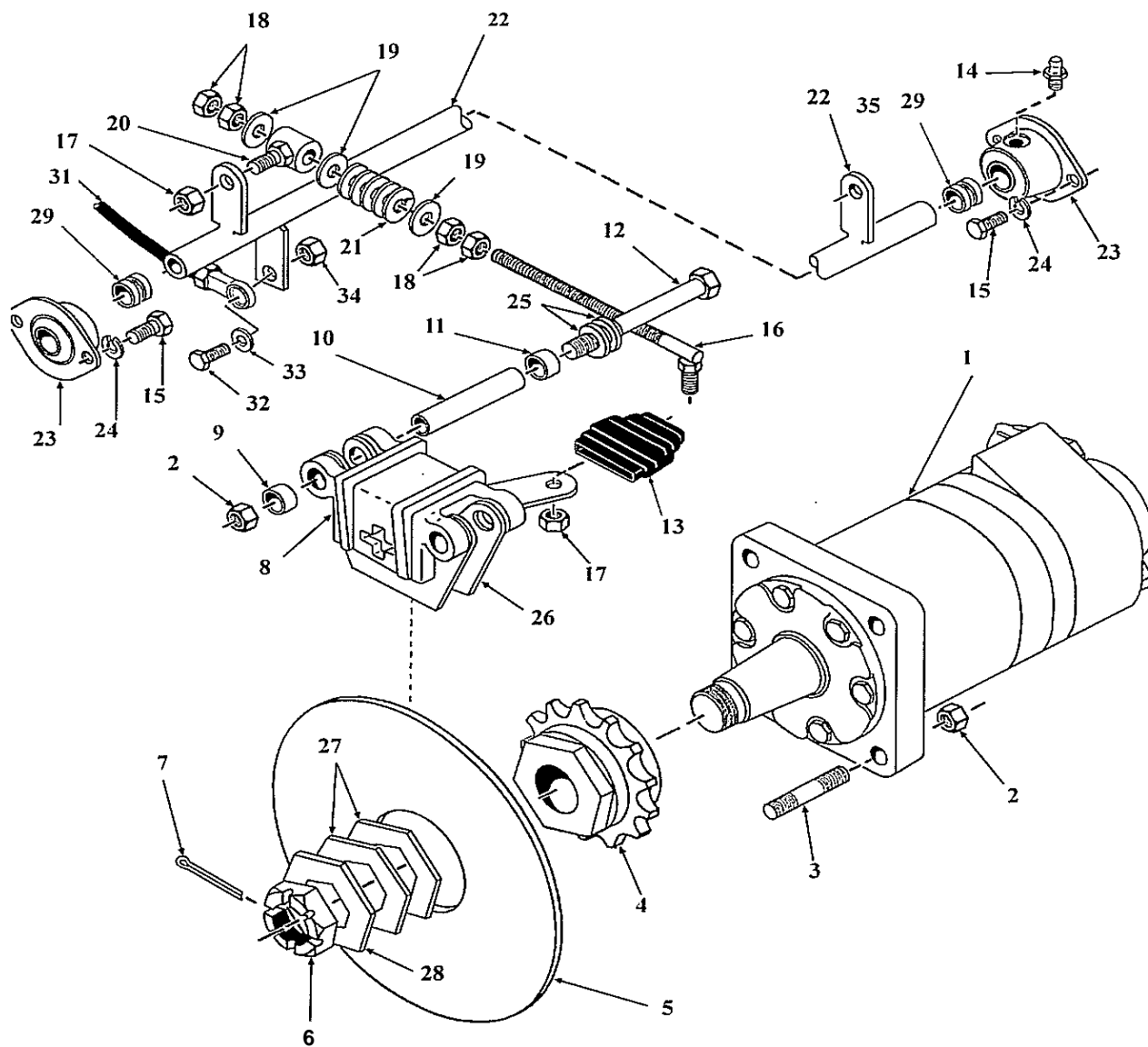
### IDLER SPROCKET ASSEMBLY

1	956429	1	Bolt
2	8613	8	Nut
3	25845	10	Plainwasher
4	954434	2	Bearing Flange
5	8705	2	Bearing Race
6	8704	1	Bearing, Cone
7	25104	1	Splined Shaft
8	26041	1	Sprocket
9	22734	1	Double Sprocket
10	1546	1	Split Pin
11	17340	1	Castle Nut

### CHAINS AND CONNECTING LINKS

1	31044	2	No. 80 Roller Chain with connector link Primary
2	31045	2	No. 100 Front Chain with connector link
3	31046	2	No. 100 Rear Chain with connector link
4	32906	AR	No. 80 PressFit Connector Primary
5	32907	AR	No. 100 Press Fit Connector
6	32578	AR	No. 100 Two Pitch Connector

# Parking Brake



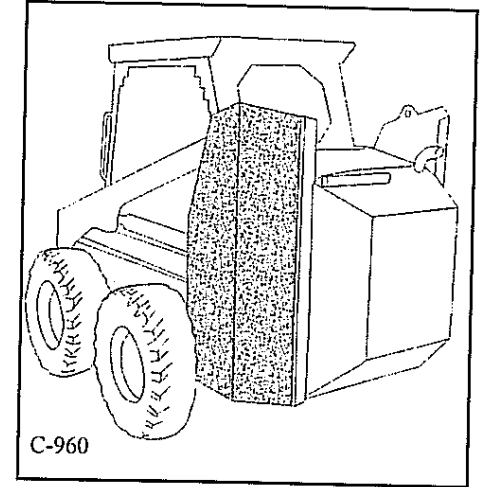
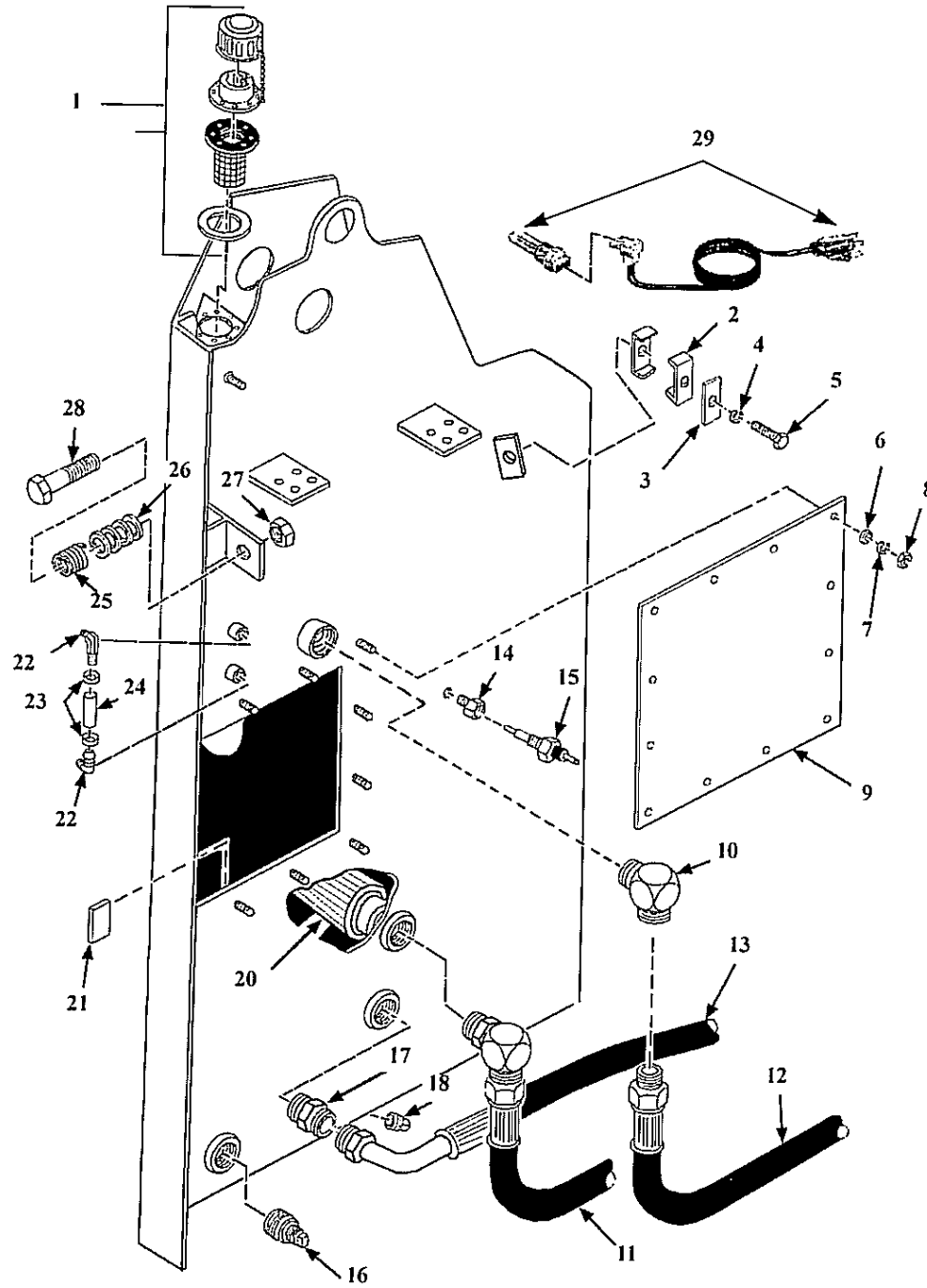
Pos NO.	Part No.	Qty	Description
1	42453	2	Torque Motor
2	8613	8	Nut
3	29093	8	Machine Stud
4	25842	4	Sprocket, Drive
5	25843	2	Brake Disc
6	NSP	2	Castle Nut
7	30800	2	Filler Rod
8	28979	2	Brake Caliper
9	29477	4	Bushing
10	NSP		See Item 8
11	29476	4	Bushing
12	1663	4	Bolt
13	41853	2	Boot Assy
14	37184	2	Grease Fitting
15	1341	4	Bolt
16	956659	2	Rod, Threaded Assy
17	7465	5	Nut
18	1194	8	Nut
19	1643	6	Washer
20	956660	2	Bushing Assy
21	1205	2	Spring
22	960798	1	Shaft, Brake Assy
23	24914	2	Flange Bearing
24	1870	4	Washer
25	30485	4	Washer
26	30487	4	Brake Pads
27	30470	1	Washer
28	30474	2	Washer
29	17516	AR	Washer
31	38553	1	Cable
32	7723	1	Bolt
33	1650	2	Washer
34	6645	1	Nut

## HYDRAULIC SYSTEM 4.

Oil Reservoir.....	4.1
Boom Lift Circuit.....	4.2
Bucket Tilt Circuit.....	4.3
Auxiliary Hydraulic Circuit.....	4.4
Control Valve.....	4.5
Control Valve Locks.....	4.6
Hydraulic Oil Filter.....	4.7
Hydraulic Oil Cooler and Fan Assembly.....	4.8
Lift Cylinder.....	4.9
Tilt Cylinder.....	4.10

# Oil Reservoir

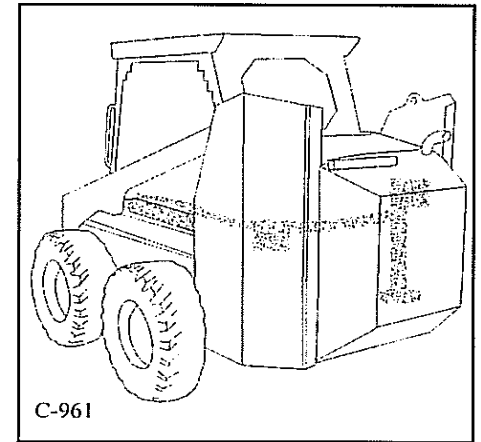
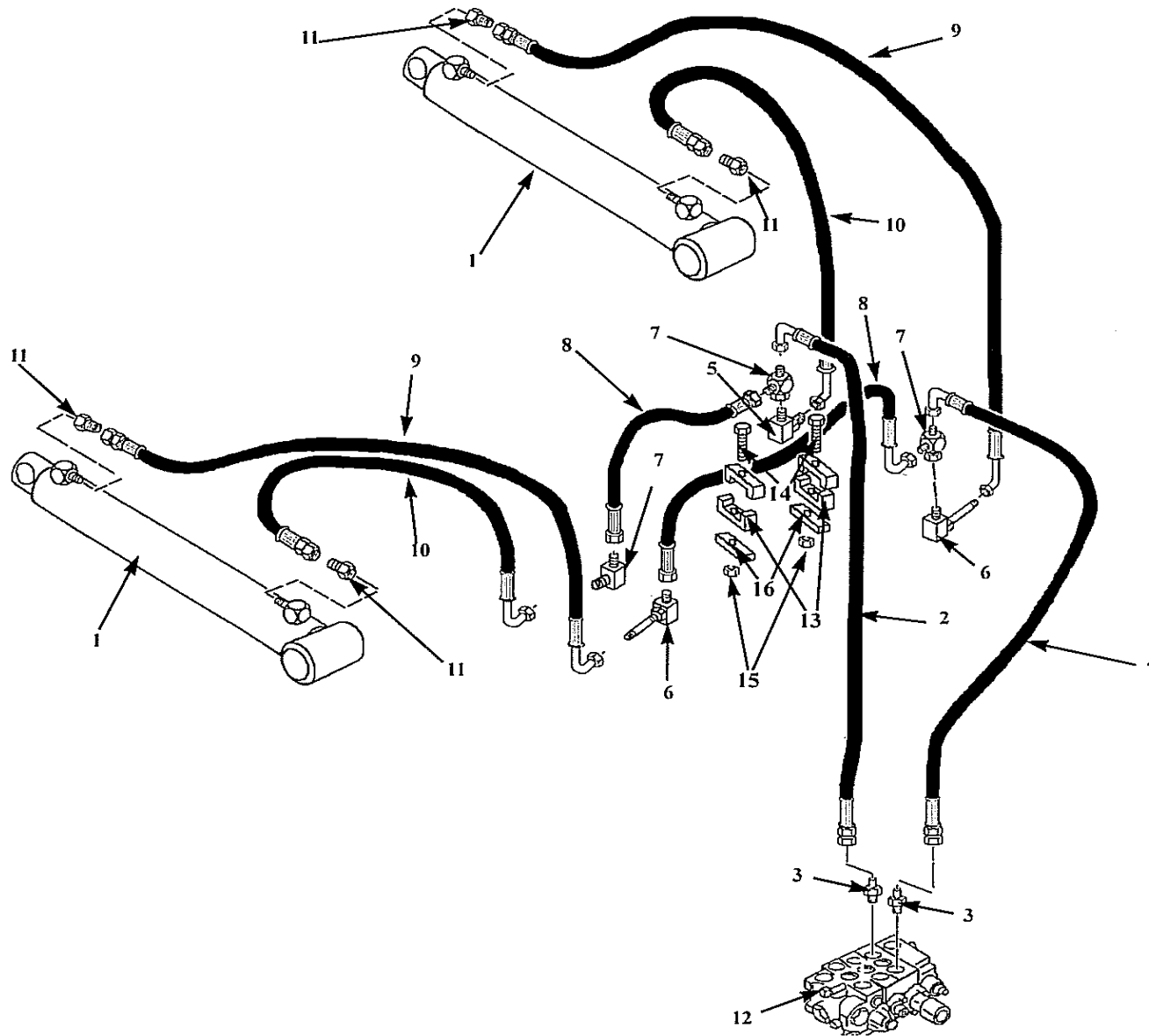
4.1



Pos NO.	Part No.	Qty	Description
1	36733	1	Filler Cap Assy
1	26202	1	Pressurized Filler Cap (Optional)
2	42061	2	Clamp
3	42076	1	Plate
4	1870	1	Washer
5	15433	1	Bolt
6	1651	1	Washer
7	1870	1	Washer
8	1191	1	Nut
9	20232	1	Cover, Inspection Hole
10	36422	1	Elbow
11	961746	1	Hose, Hydraulic
12	961756	1	Hose, Hydraulic
13	961750	1	Hose, Hydraulic
14	37208	1	Bushing
15	37206	1	Switch, Temperature Sender
16	37070	2	Plug
17	42321	1	Adapter
18	17144	1	Magnetic Drain Plug
20	14898	1	Element
21	32478	1	Magnet
22	34903	1	Elbow
23	34919	1	Clamp
24	698	1	Tube
25	32920	1	Spring
26	25845	1	Washer
27	8613	1	Nut
28	1773	1	Bolt
29	30549	1	Oil Reservoir Heater

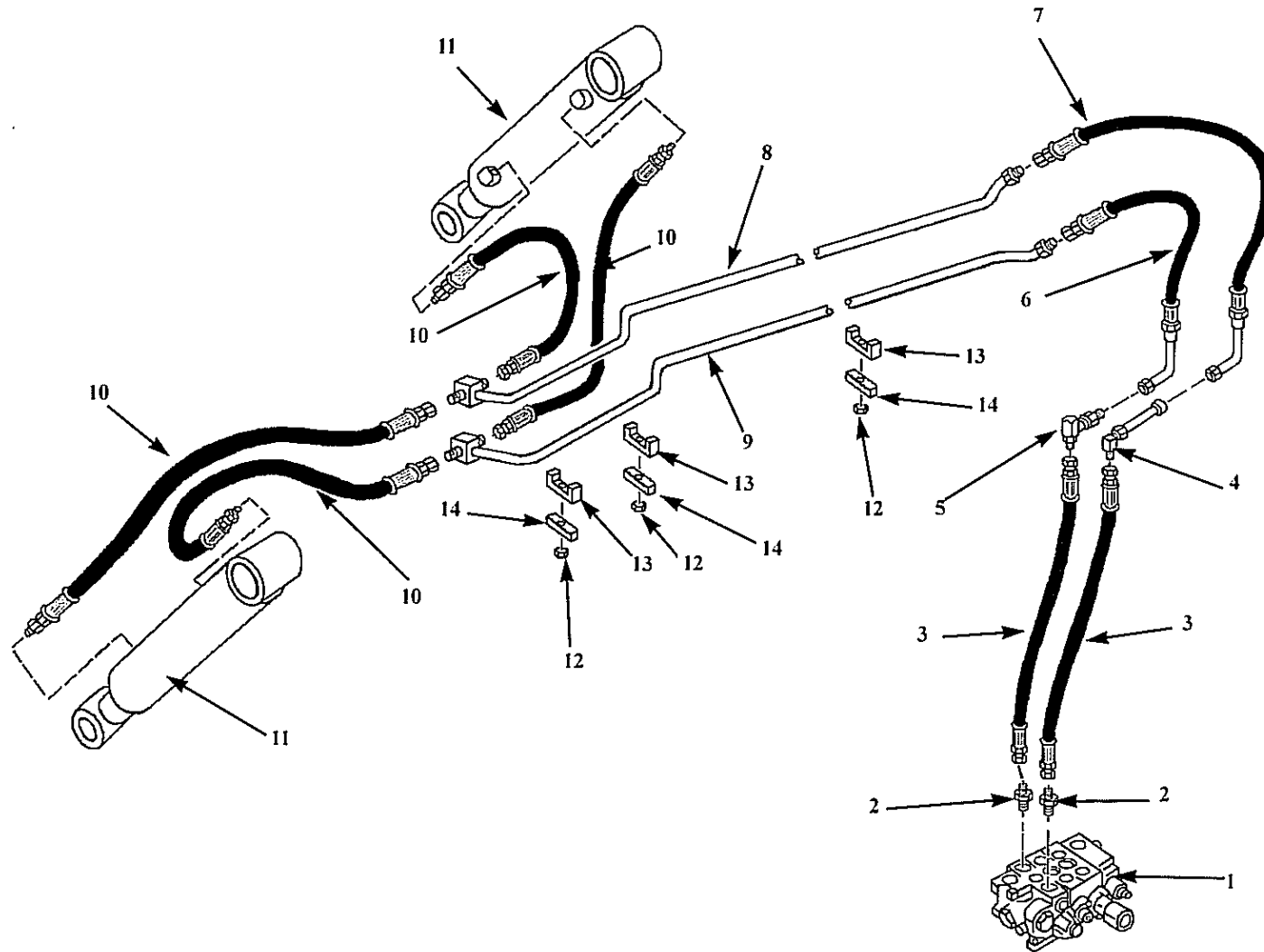
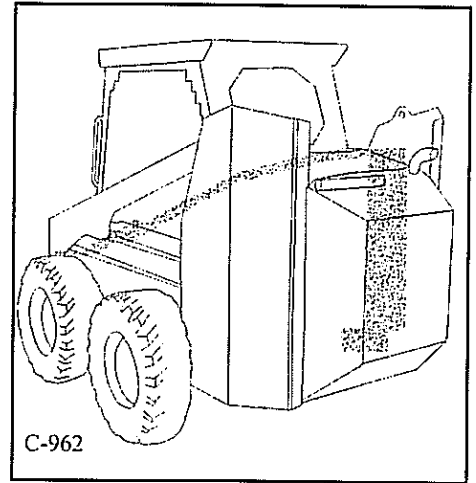


# Boom Lift Circuit



Pos NO.	Part No.	Qty	Description
1	29689	2	Lift Cylinder
2	961770	1	Hose, Hydraulic
3	19226	3	Connector
4	961766	1	Hose, Hydraulic
5	33831	2	Connector
6	36336	2	Elbow
7	42322	2	Tee
8	961774	1	Hose, Assy
9	959630	2	Hose Assy
10	959631	2	Hose Assy
11	29438	4	Fitting, Connector
12	42050	1	Valve Assy with Locks
13	43033	8	Clamp
14	10494	2	Bolt
15	16771	2	Nut
16	38472	1	Plate, Cover Twin

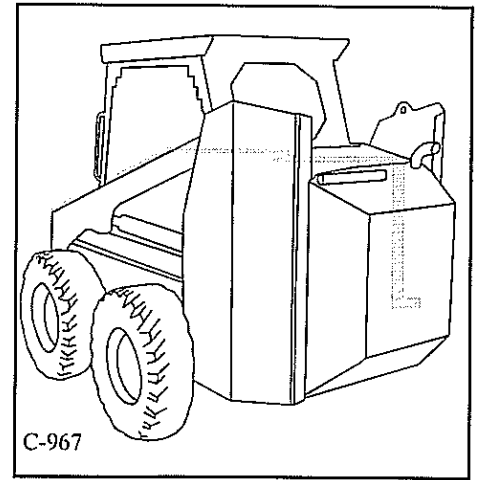
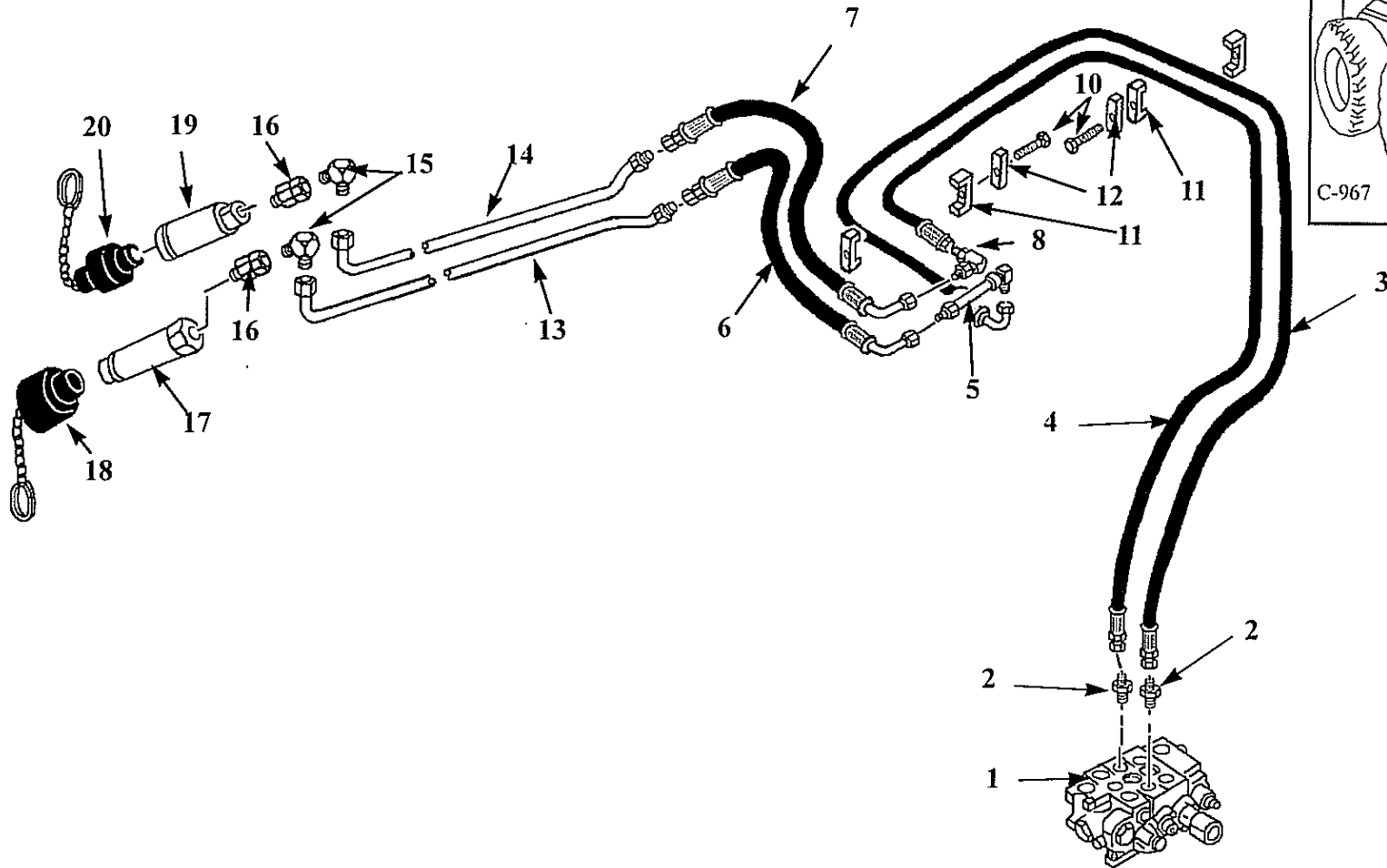
# Bucket Tilt Circuit



Pos NO.	Part No.	Qty	Description
1	42050	1	Valve Assy with Locks
2	19226	2	Elbow
3	961773	2	Hose, Hydraulic
4	36336	1	Connector, Bulkhead
5	33831	1	Connector, Bulkhead
6	961761	1	Hose, Hydraulic
7	961760	1	Hose , Hydraulic
8	42090	1	Tube Assy, Outer
9	42091	1	Tube Assy, Inner
10	961499	4	Hose Assy
11	33153	2	Tilt Cylinder
12	7465	1	Bolt
13	38303	1	Bracket
14	38472	1	Plate, Cover Twin

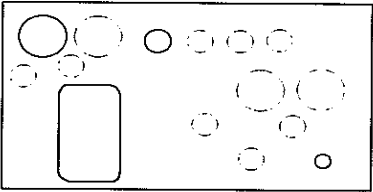
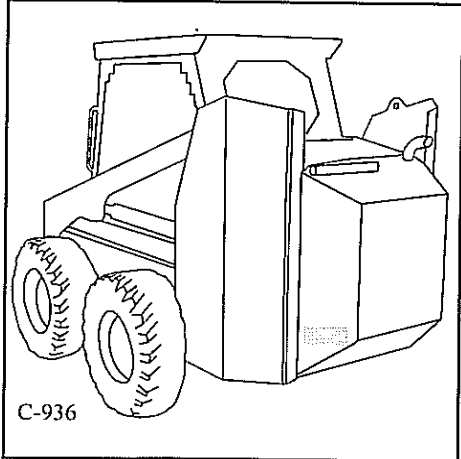
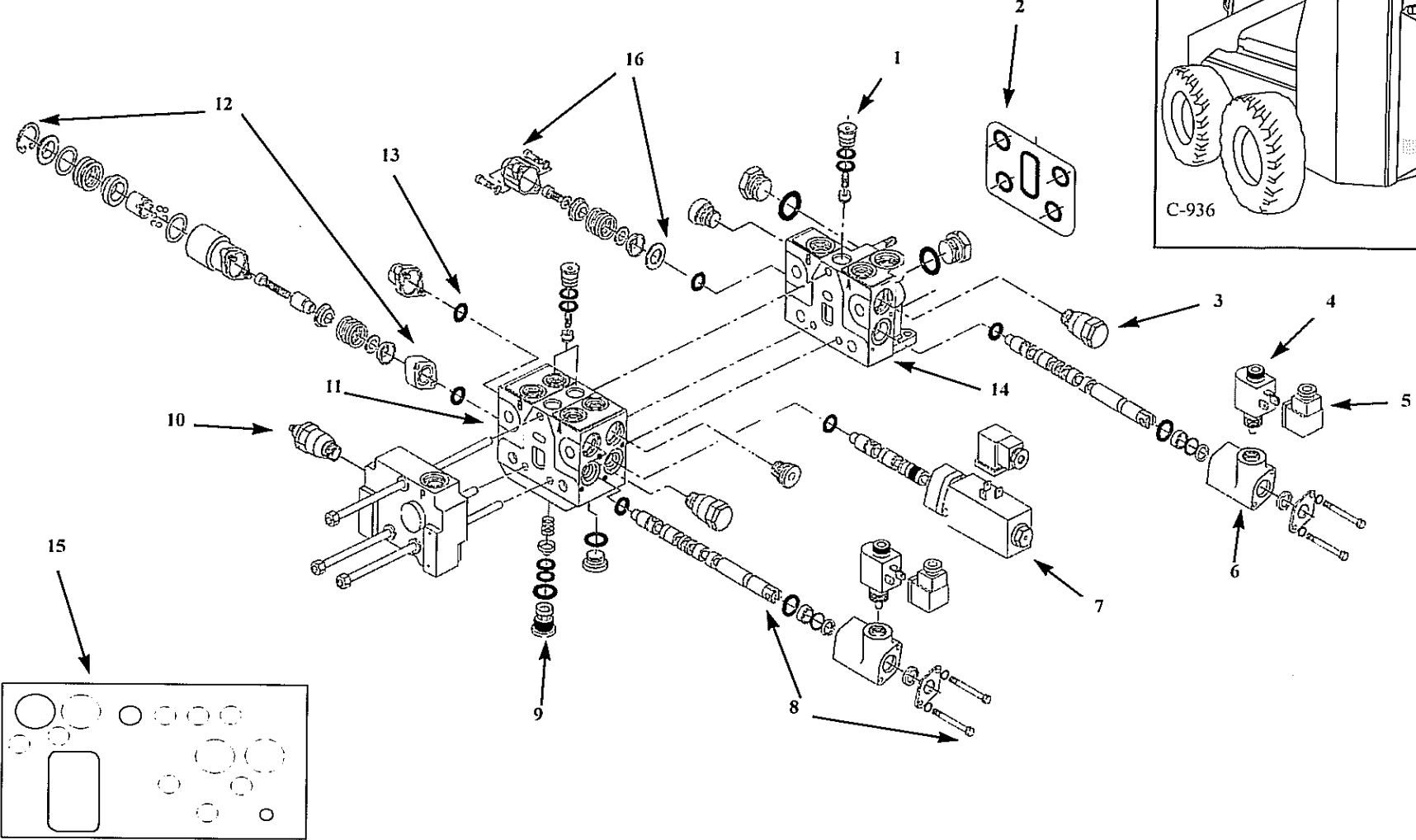
# Auxiliary Hydraulic Circuit

4.4



Pos NO.	Part No.	Qty	Description
1	42050	1	Valve Assy with Locks
2	19226	2	Elbow
3	961772	1	Hose, Hydraulic
4	961771	1	Hose, Hydraulic
5	36336	1	Connector
6	961760	1	Hose, Hydraulic
7	961761	1	Hose, Hydraulic
8	33831	1	Connector
10	7465	1	Bolt
11	43033	1	Bracket
12	38472	1	Plate, Cover Twin
13	42088	1	Tubing, Outside
14	42089	1	Tubing, Inside
15	22280	2	Elbow
16	29437	2	Connector
17	1803	1	Coupling, QD Male
18	7667	1	Dust Plug, Male
19	6608	1	Coupling, QD, Female
20	7124	1	Dust Plug, Female

Control Valve

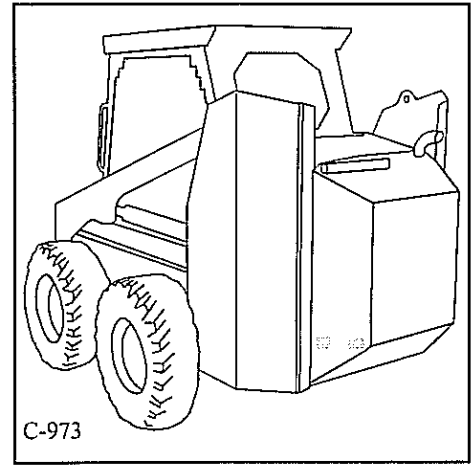
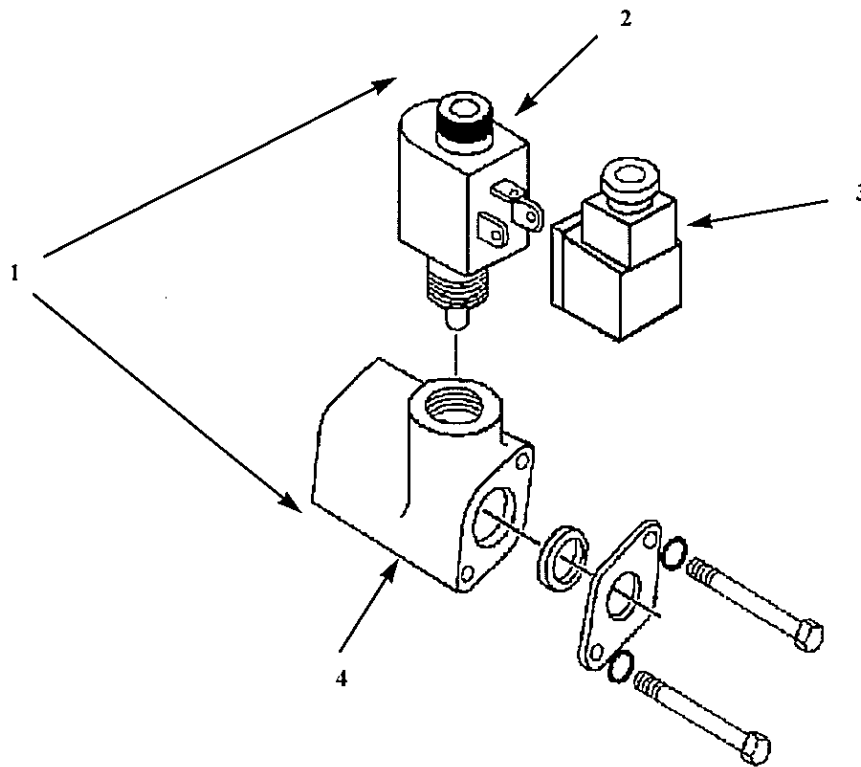


Pos NO.	Part No.	Qty	Description
	42050	1	Control Valve Assembly
1	36651	3	Check Valve
2	36649	2	Seal Kit
3	36659	2	Anti - Cavitation Valve
4	38614	2	Solenoid
5	38615	2	Connector Plug
6	38621	2	Valve Lock Block
7	36660	1	Aux Solenoid, <b>Spool&amp;Block</b>
*	43151	1	Solenoid, Aux , <b>Block Only</b>
8	38611	2	Spool Lock, Complete
9	36653	1	Check Valve, Special
10	37595	1	Relief Valve, Main
11	43153	1	Complete, Lift and Aux Section w/ Spool
12	43154	1	Detent Kit, Lift Spool
13	36650	3	O-Ring, Spool (2 each kit)
14	43152	1	Tilt Section, Complete w / spool
15	43150	1	Valve, Seal Kit, Complete
16	43155	1	Kit, Centering, Tilt Spool



## Control Valve Locks

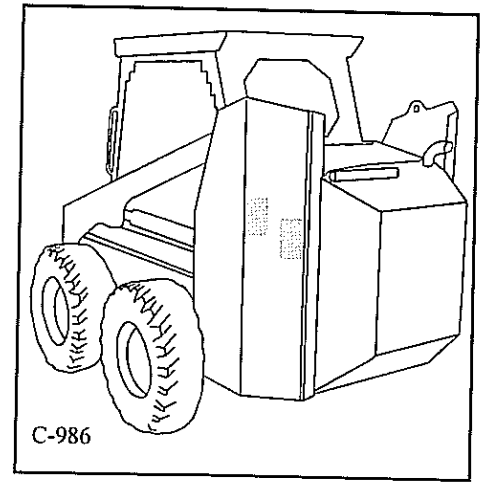
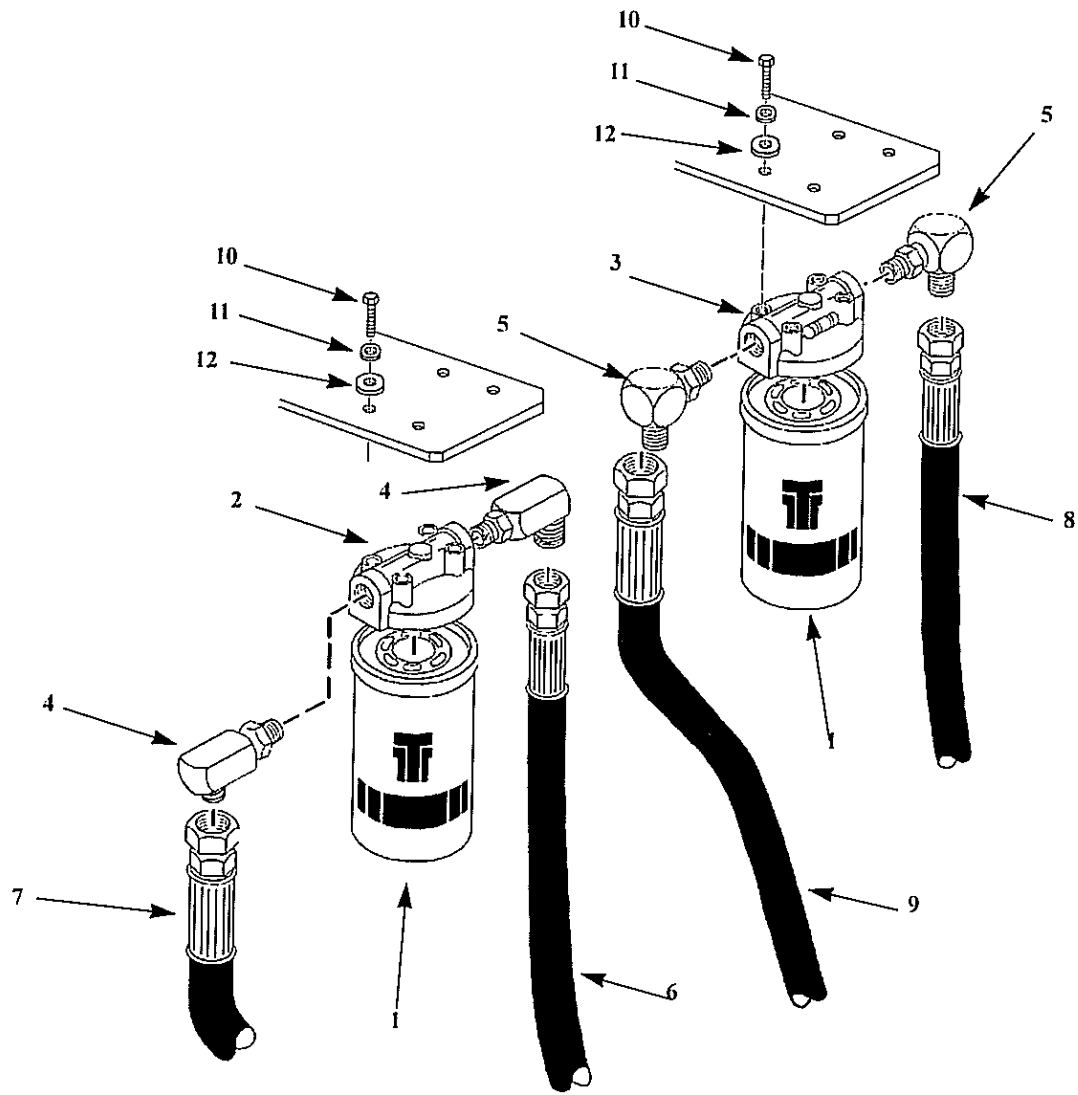
4.6



Pos NO.	Part No.	Qty	Description
1	38611	2	Complete Valve Locks, w / hardware and seals
2	38614	2	Coil
3	38615	2	Connector
4	38621	2	Valve Lock Block

# Hydraulic Oil Filters

4.7



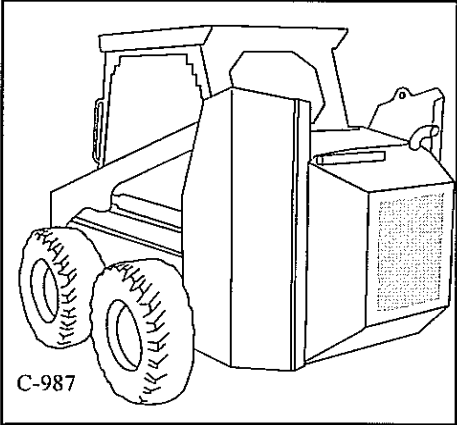
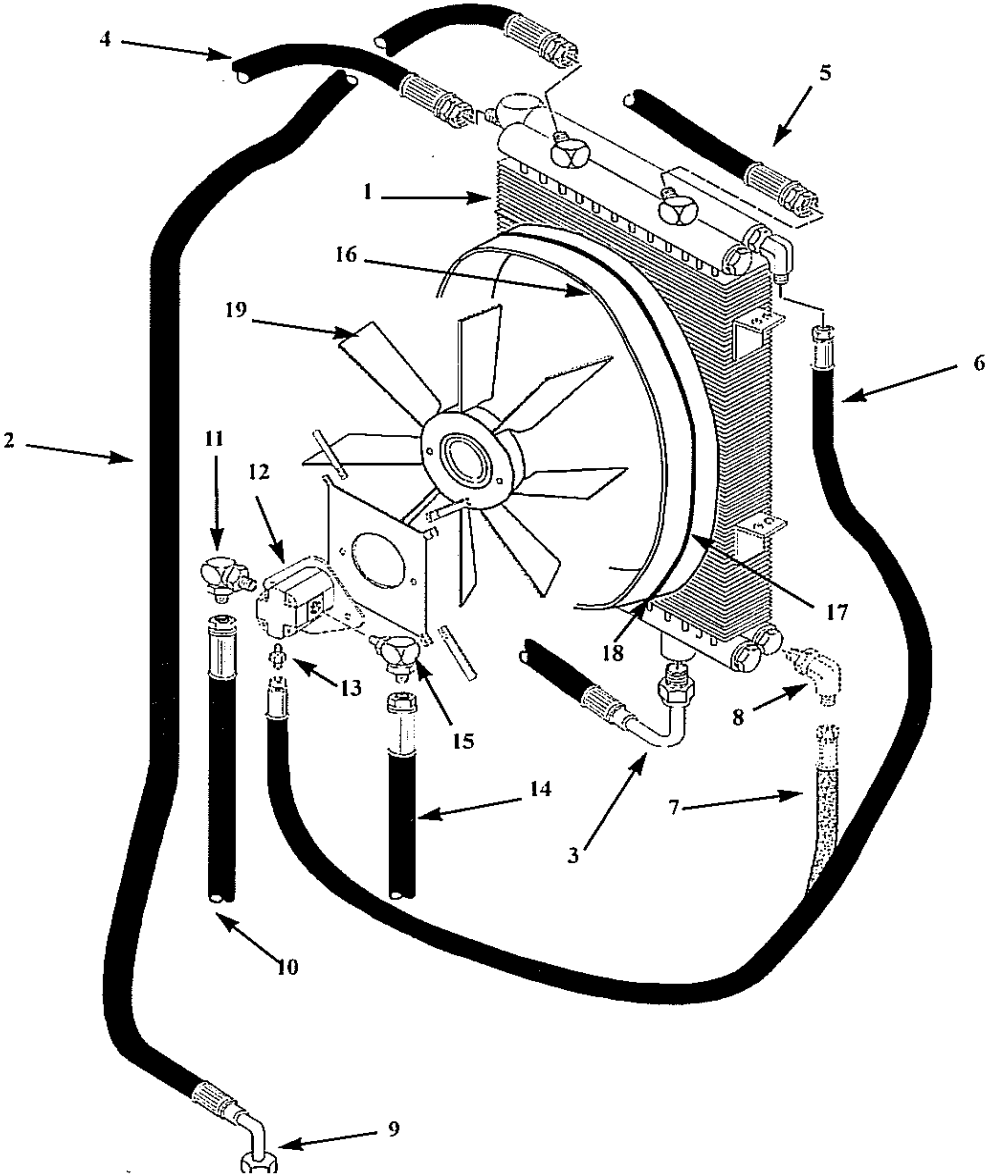
Pos NO.	Part No.	Qty	Description
1	35243	2	Filter Element
2	38587	1	Main, Hyd. Oil Filter Assy
3	42556	1	Charge, Filter Assy
4	33850	2	Elbow
5	14866	2	Elbow
6	961748	1	Hose, Hydraulic
7	961749	1	Hose, Hydraulic
8	961752	1	Hose, Hydraulic
9	961935	1	Hose, Hydraulic
10	1193	8	Bolt
11	1643	8	Washer
12	1642	8	Washer

**Hi- Flow Model Add 043539, Complete head and Filter**

**Head Only-043540**

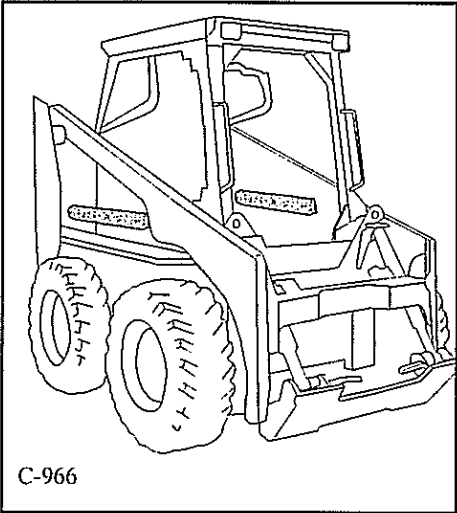
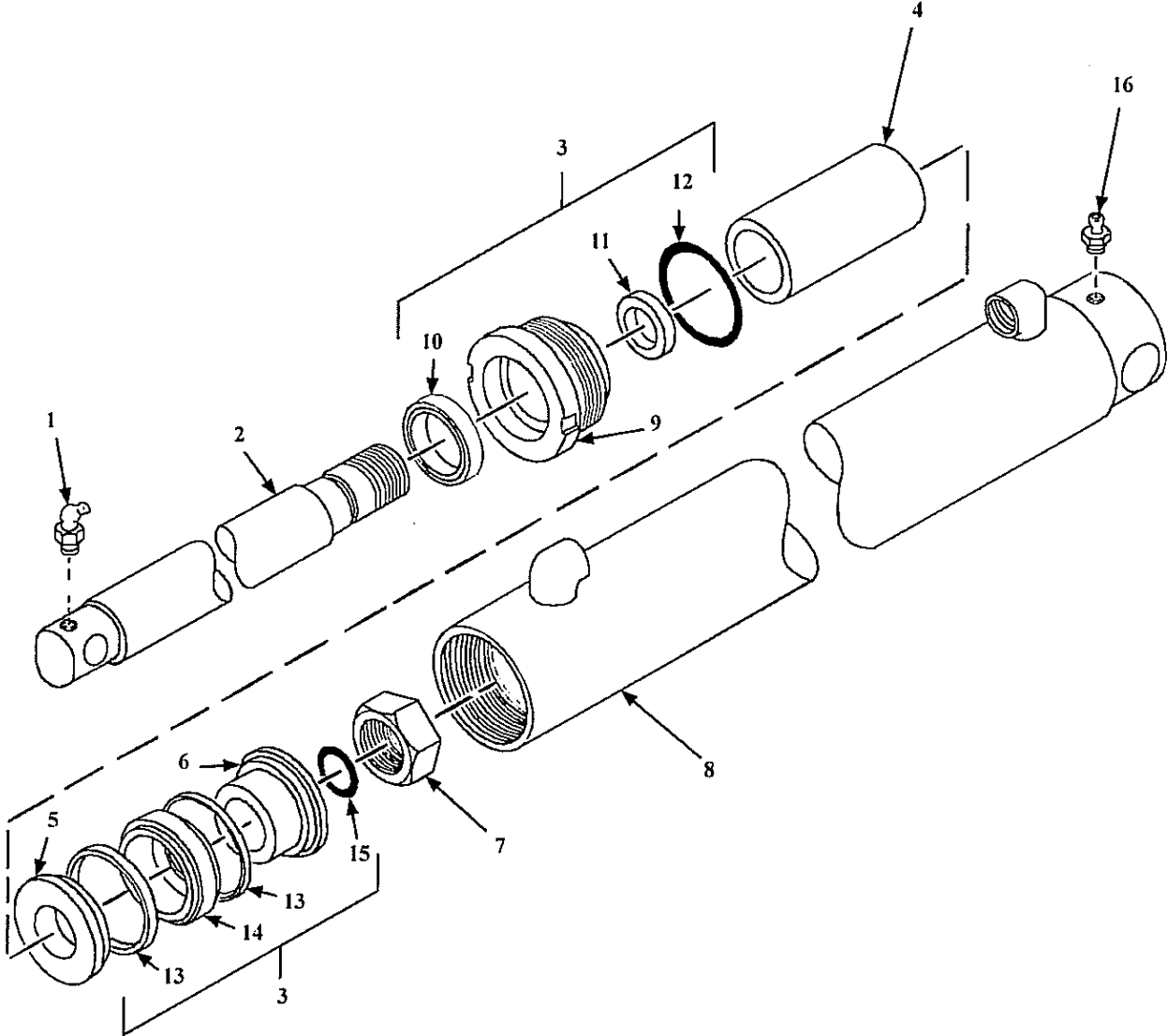
**Filter Only-043541**

Hydraulic Oil Cooler And Fan Assembly



Pos NO.	Part No.	Qty	Description
1	41141	1	Oil Cooler Rad with Fan Drive (19cc)
1	42725	1	Oil Cooler Rad with Fan Drive (23cc)
2	961757	1	Hose, Engine Oil Cooler
3	961749	1	Hose, Filter Out
4	961750	1	Hose, Tank Return
5	961758	1	Hose, Engine Oil Cooler
6	961904	1	Hose, Hydraulic LM000183 onward except LM000190 -192, 201, 203, 205 - 209
7	961753	1	Hose, Hydraulic up to LM000182,190, 192, 201, 203, 205 - 209
8	21128	1	Elbow
9	42293	1	Engine, Elbow
10	961752	1	Hose, charge filter in
11	14866	1	Elbow
12	42788	1	Fan Motor, Hydraulic , <b>Seal Kit-044933</b>
13	30266	1	Connector
14	961751	1	Hose, pump to fan motor in
15	25011	1	Elbow, 90d eg.
16	41149	1	Foam Sealing Ring
17	810	6.3 ft	Strap
18	42158	1	Clip, Tie Strap
19	call	1	Fan, up to LM000156
19	43495	1	Fan, LM000157 Onward

Lift Cylinder



Pos NO.	Part No.	Qty	Description
	29689	2	Lift Cylinder, <b>Original with no bushing.</b>
1	35451	1	Grease Fitting
2	29856	1	Piston Rod Assy
3	29878	1	Complete Seal Kit
4	30236	1	Tube Spacer
5	29861	1	Piston Front Section
6	29862	1	Piston Rear Section
7	29896	1	Nut
8	29855	1	Cylinder Barrel
9	30026	1	Cap
10	NSP	1	Seal
11	NSP	1	Rod Seal
12	NSP	1	"O" Ring
13	NSP	2	Wear Ring
14	NSP	1	Piston Seal
15	NSP	1	"O" Ring
16	35449	1	Grease Fitting

**\*New cylinder with bushing installed-043771**

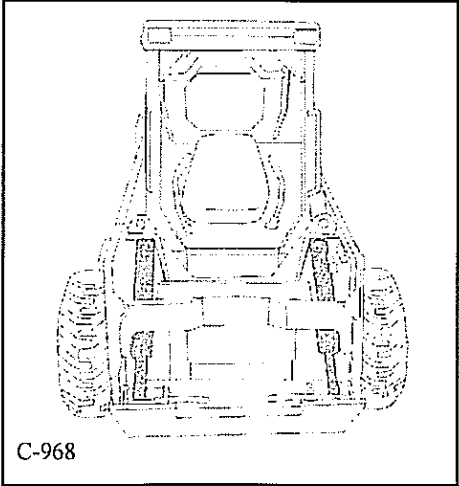
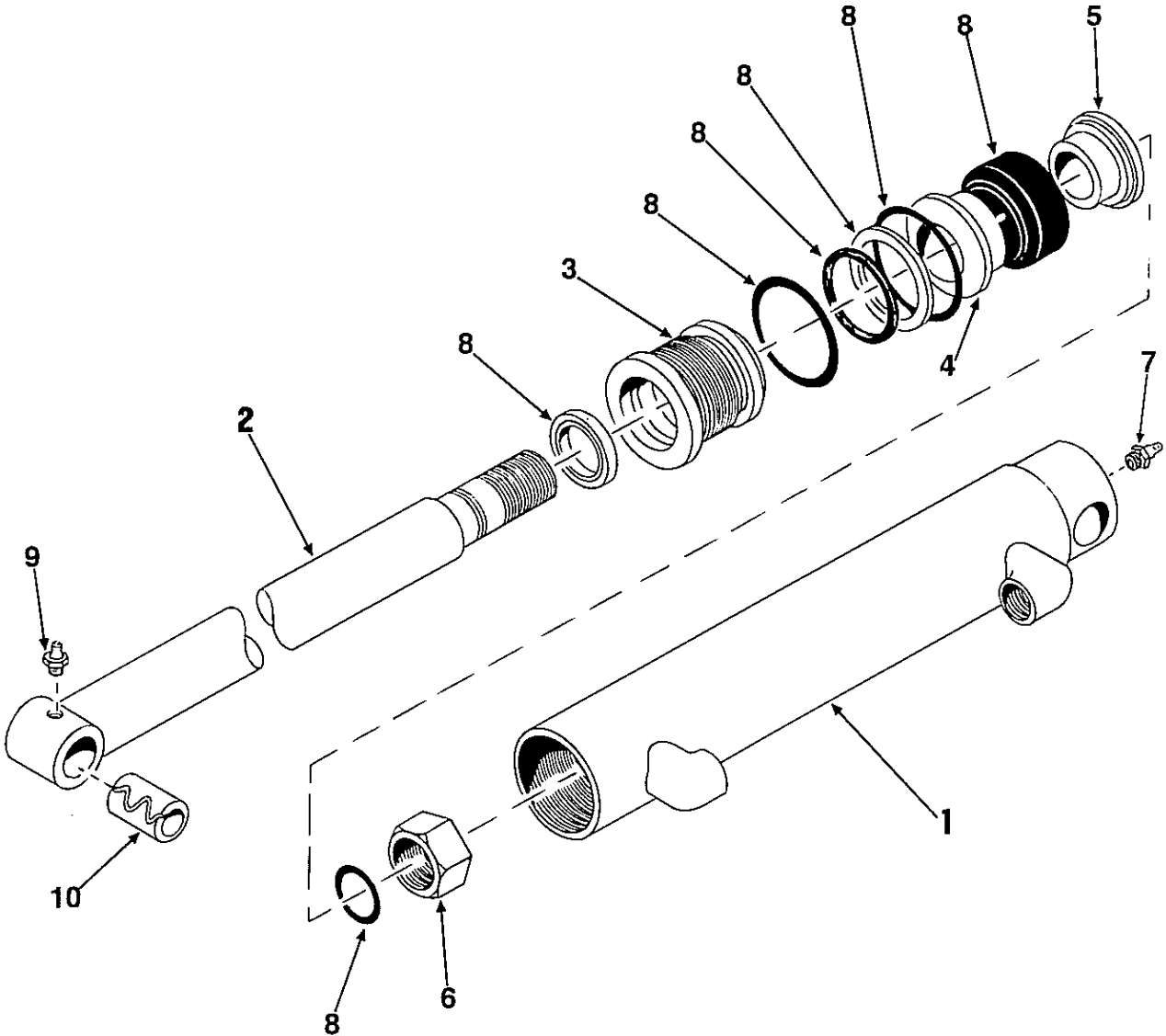
**\*New cylinder, needs bushing installed-043592**

**\* Bushing-043632**



Tilt Cylinder

4.10

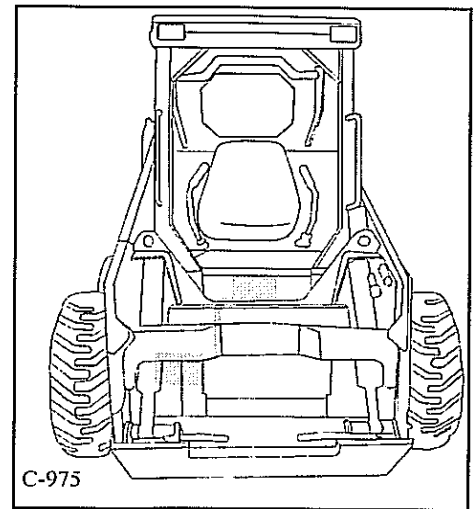
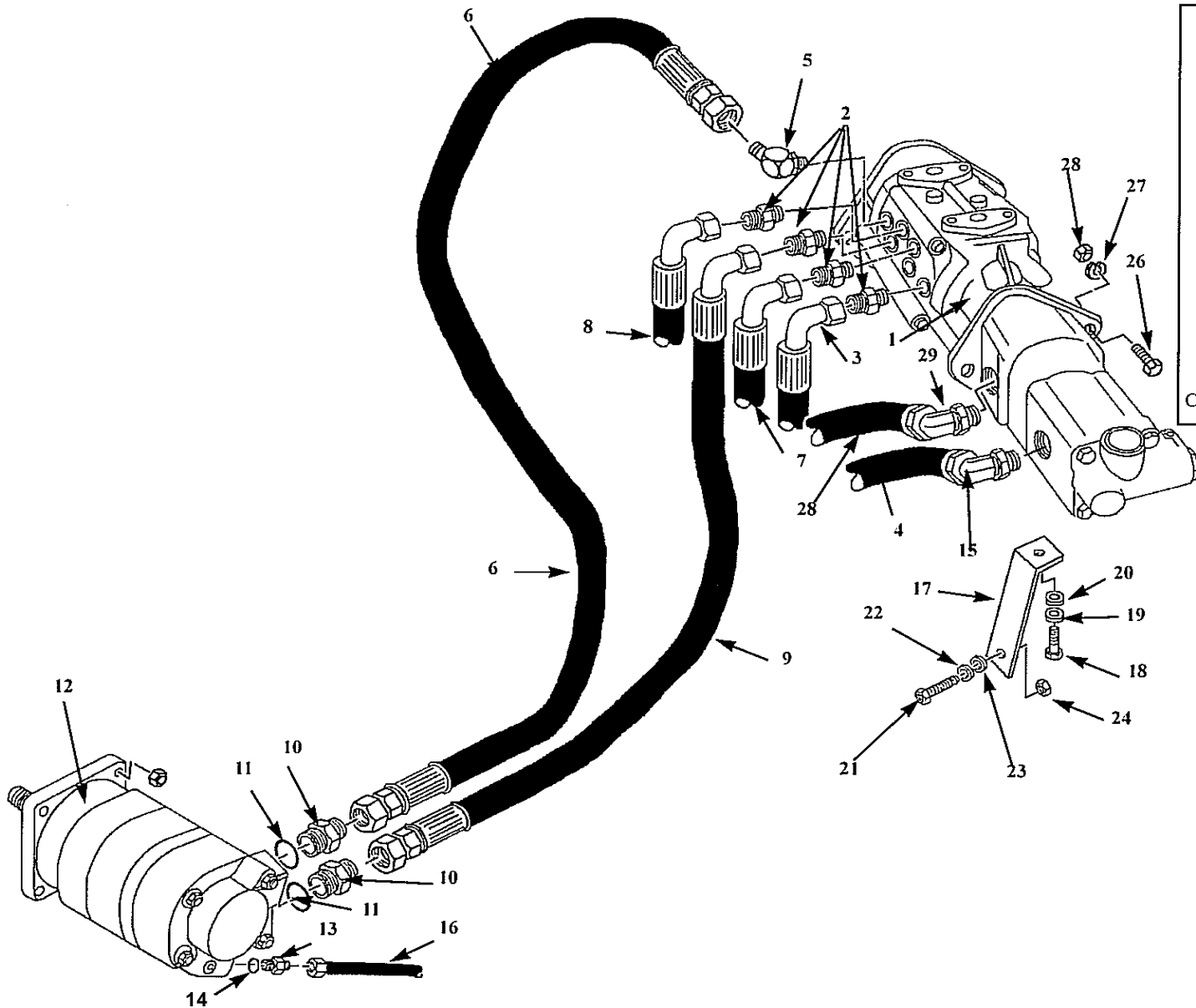


Pos NO.	Part No.	Qty	Description
	33153	1	Tilt Cylinder LM000330 onward Threaded piston
1	33155	1	Cylinder Tube
2	33154	1	Piston Rod, Cyl To LM000229
2	42850	1	Piston Rod, Cyl LM000330 onward
3	33868	1	Head Plate
4	29861	1	Piston Part B
5	29862	1	Piston Part A to LM000229
5	42851	1	Piston Part A LM000330 onward
6	6297	1	Nut
7	35451	1	Grease Fitting
8	32511	1	Seal Kit Complete O-Ring Backup washer
9	35449	1	Grease Fitting
10	30641	1	Bushing, Hardened

## **HYDROSTATIC DRIVE SYSTEM 5.**

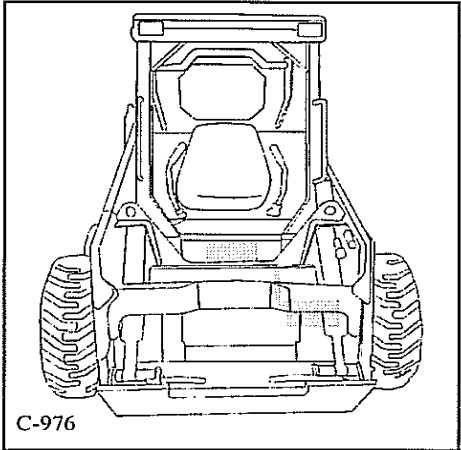
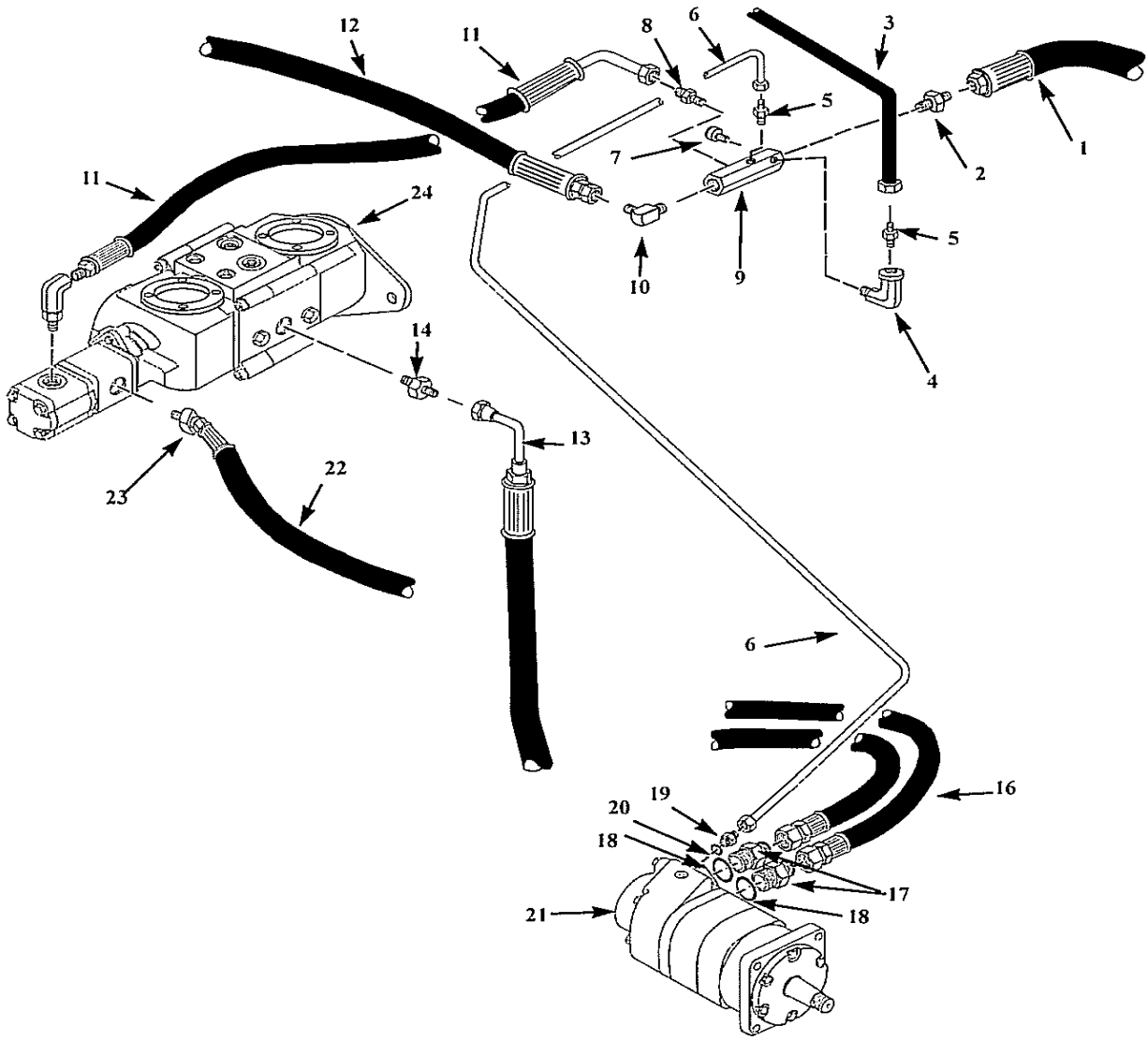
Hydrostatic Drive Circuit (R.H. Side).....	5.1
Hydrostatic Drive Circuit (L.H. Side).....	5.2
Hydrostatic Pump.....	5.3

# Hydrostatic Drive Circuit (RH)



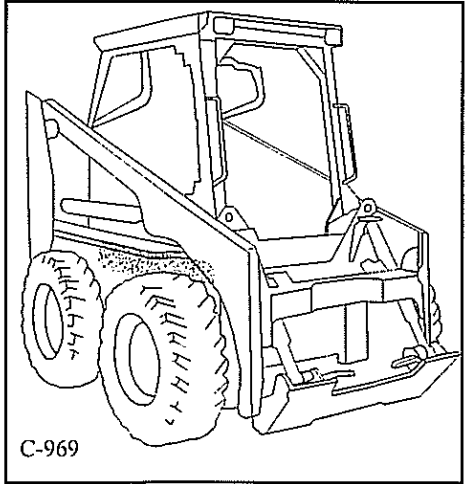
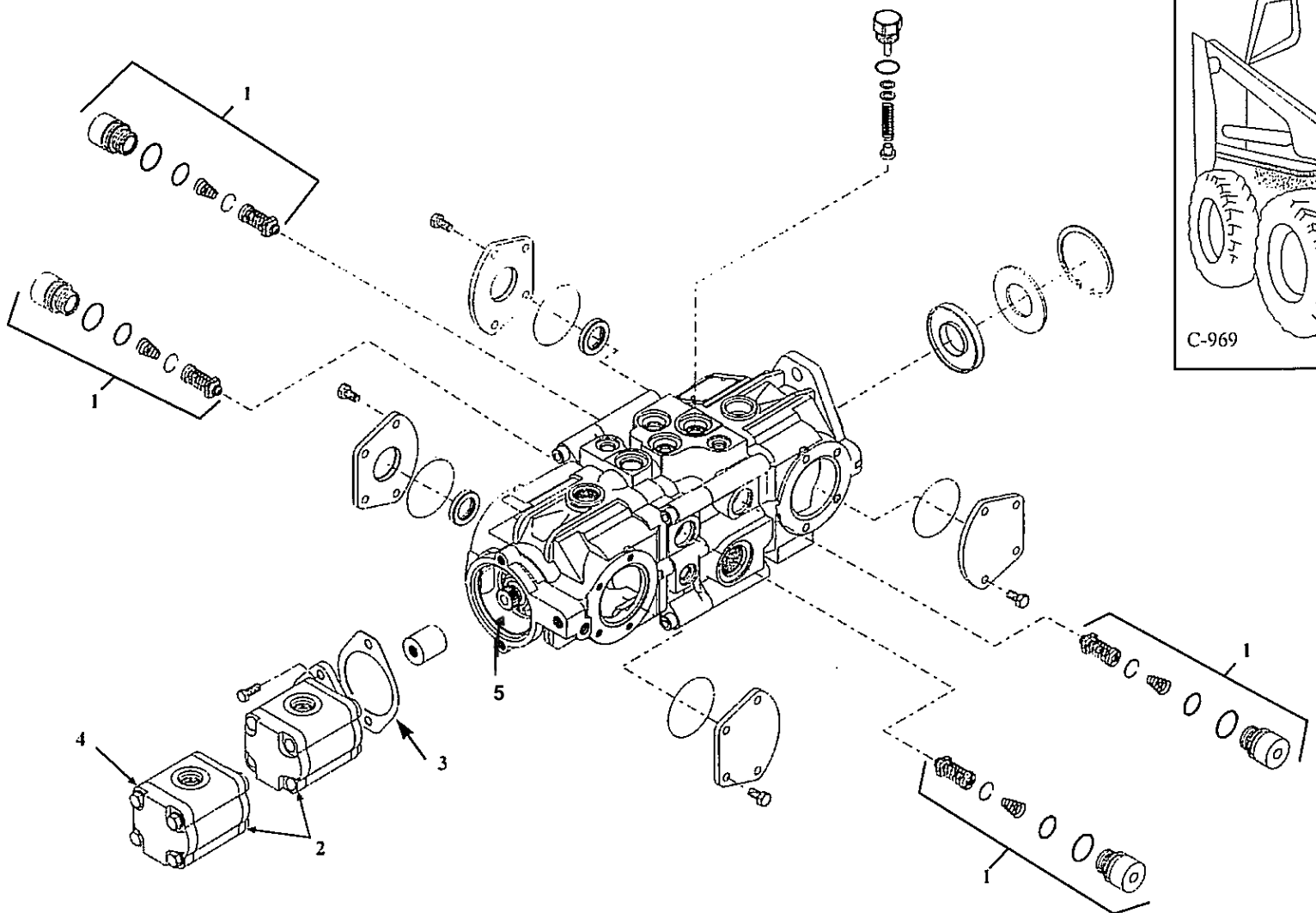
Pos NO.	Part No.	Qty	Description
1	42767	1	Hydrostatic Tandem Pump, <b>Overhaul seal kit- 047945SP</b>
2	14867	4	Connector
3	961755	1	Hose
4	961763	1	Hose, Hydraulic
5	14866	4	Connector
6	961765	1	Hose
7	961762	1	Hose
8	961763	1	Hose
9	961764	1	Hose
10	8104	2	Connector
11	23750	2	O - Ring
12	42453	1	Torque Motor
13	19240	1	Connector, straight
14	23747	2	"O" Ring
15	25011	1	Elbow
16	957259	1	Hose, Hydraulic
17	42368	1	Pump Mount
18	20856	1	Bolt
19	20861	1	Washer
20	23385	1	Washer
21	1387	1	Bolt
22	1643	1	Washer
23	1642	1	Washer
24	1194	1	Nut
25	20856	2	Bolt
26	20861	2	Washer
27	20860	2	Nut
28	961747	1	Hose
29	19232	2	Elbow (Both ends of hose)

Hydrostatic Drive Circuit LH



Pos NO.	art No.	Qty	Description
1	961756	1	Hose, Hydraulic
2	28994	1	Connector
3	957259	1	Hose, Hydraulic
4	1461	1	Elbow
5	19242	2	Connector
6	31341	1	Tube, Hydraulic
7	1457	1	Plug
8	29438	1	Connector
9	953603	1	Manifold Assy
10	19235	1	Elbow
11	961754	1	Hose, Hydraulic
12	961755	1	Hose, Hydraulic
13	961935	1	Hose, Hydraulic
14	19233	1	Connector
15	961763	1	Hose, Hydraulic
16	961762	1	Hose, Hydraulic
17	8104	2	Connector
18	23750	2	O Ring
19	19240	1	Connector
20	23747	1	O Ring
21	42453	1	Motor, Hydraulic Assy
22	961746	1	Hose, Hydraulic
23	42325	1	Elbow
24	42767	1	Hydrostatic Tandem Pump

Hydrostatic Pump



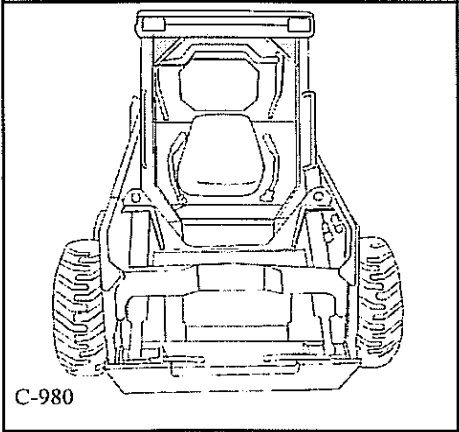
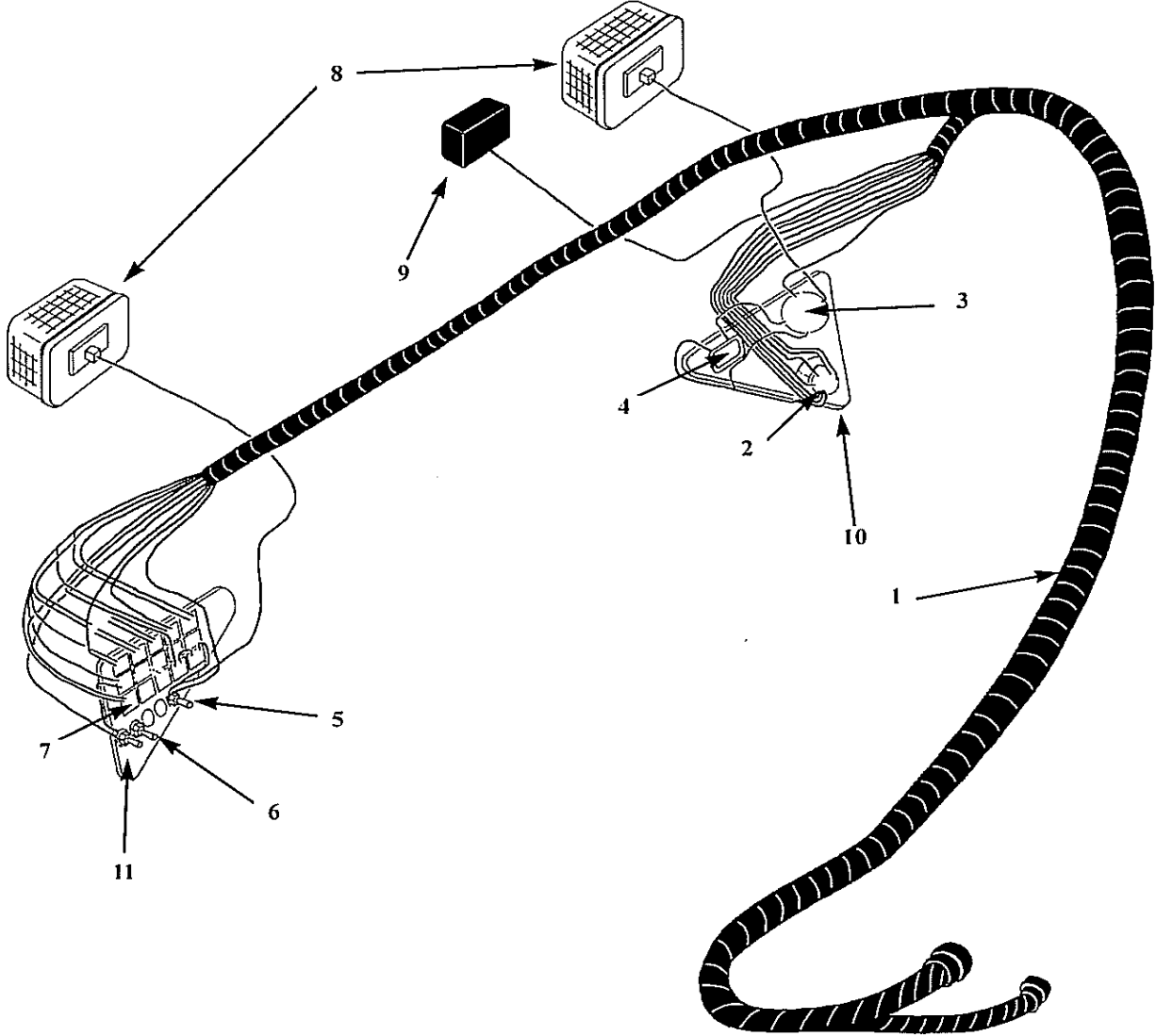


Pos NO.	Part No.	Qty	Description
1	42908	4	Relief Valve Assy
2	42813	1	Gear Pump (Sundstrand)
3	42812	1	Gasket, Gear Pump
4	42918	1	Relief Valve
5	<b>044279</b>	<b>1</b>	<b>Input Shaft</b>
*	<b>043169</b>	<b>1</b>	<b>Shaft Seal</b>
*	<b>044821</b>	<b>1</b>	<b>Shaft Bearing</b>
*	<b>042795</b>	<b>1</b>	<b>Seal Kit, Gear Pumo, Rear Only</b>

## **ELECTRICAL SYSTEM 6.**

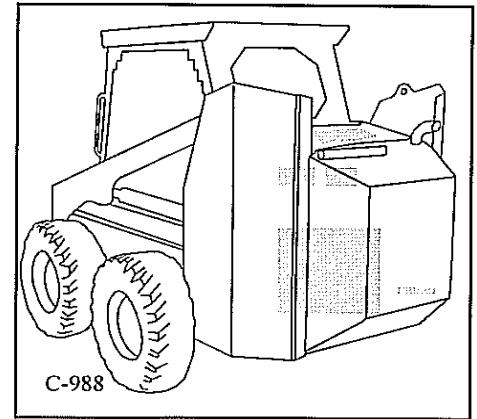
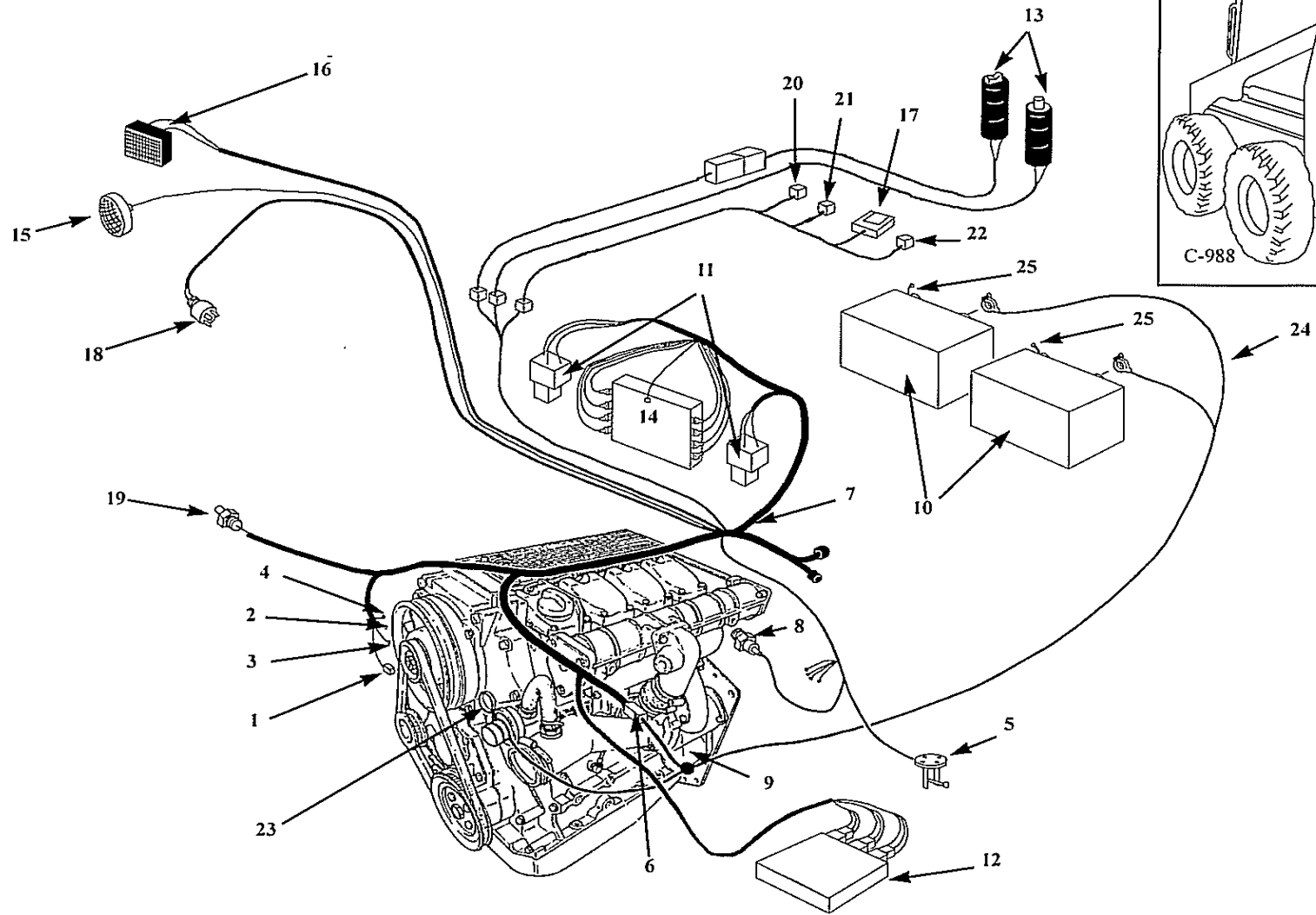
Electrical Wiring (ROPS Side).....	6.1
Electrical Wiring (Engine Side).....	6.2

Electrical Wiring (ROPS Side)



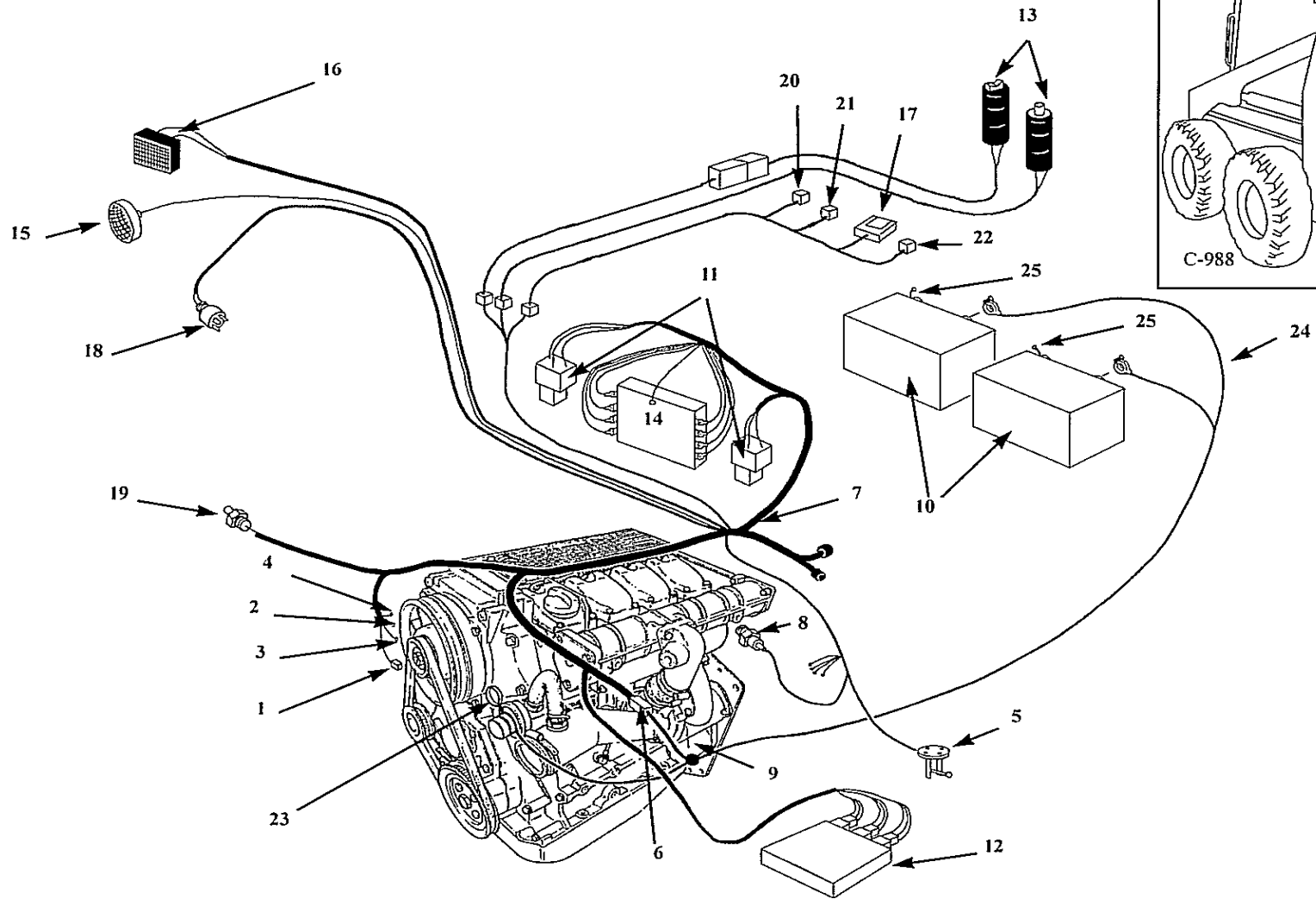
Pos NO.	Part No.	Qty	Description
1	42065	1	ROPS Wire Harness
2	19605	1	Ignition Switch
3	38577	1	Fuel Gauge
4	38761	1	Hour Meter
5	39123	1	Light Switch
6	39124	1	Auxiliary Switch
7	39972	1	All Indicator Light
8	41607	1	Front Work Lights
*	41611	1	Lens, Clear, Rectangular
*	41612	1	Bulb, Halogen
9	40918	1	Horn
*	1680	1	Bolt
*	20860	1	Nut
*	20861	1	Washer
*	23385	1	Washer
10	38794	1	RH Instrument Panel
11	41889	1	Panel, LH, Instrument Assy
*	41427	1	Thomas Key Chain
*	39126	4	Plug, Button Hole
*	39121	2	Fuse, 15 Amp
*	39122	3	Fuse, 10 Amps
*	18683	1 pr.	Ignition Key
*	<b>038797</b>	<b>1</b>	<b>Center Boom Panel</b>
ROPS CLAMPS			
*	42433	1	Clamps # 8
*	42434	3	Clamps # 10
*	42435	2	Clamps # 12
*	42442	1	Clamps # 18

# Electrical Wiring (Engine Side)



Pos NO.	Part No.	Qty	Description
1	42816	1	Solenoid, Shut Off, Deutz
2	42811	1	Engine Oil Pressure Sender
3	42815	1	Alternator, Deutz
4	42794	1	Oil Temperature Sender
5	41627	1	Fuel Level Sender
*	23194	5	Screw, Machine
*	24214	5	Washer
6	21926	1	Circuit Breaker 50 Amp
7	42066	1	Wire Harness, Engine Assy
8	42848	2	Manifold Heater
9	42814	1	Starter, Deutz
10	38870	2	Battery
11	39840	1	Relay
12	38614	1	Valve Locks,Solenoid
13	40960	3	Control Handle
14	39540	2	Fuse and Circuit Breaker Panel
15	29971	1	Rear Work Light
16	40198	1	Horn
17	960680	1	Seat Belt Switch
18	42407	1	Air Filter , Indicator, Restrictor
19	37206	1	Hydraulic Oil Temperature Sender
20	38516	1	Seat Switch
21	<b>042805</b>	1	Restraint Bar Switch to LM000288
21	42805	1	Restraint Bar Switch LM000289 onward
22	40582	1	Brake Switch to LM000288
22	42805	1	Brake Switch, Dual LM000289 onward

# Electrical Wiring (Engine Side)



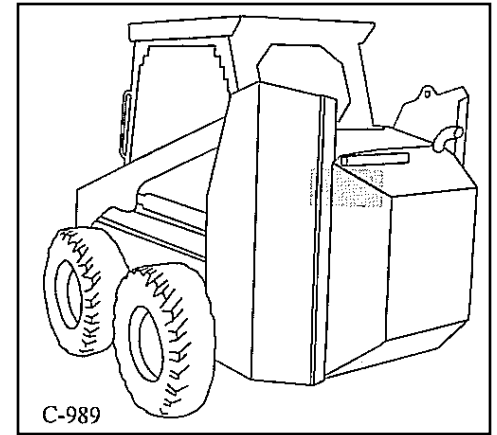
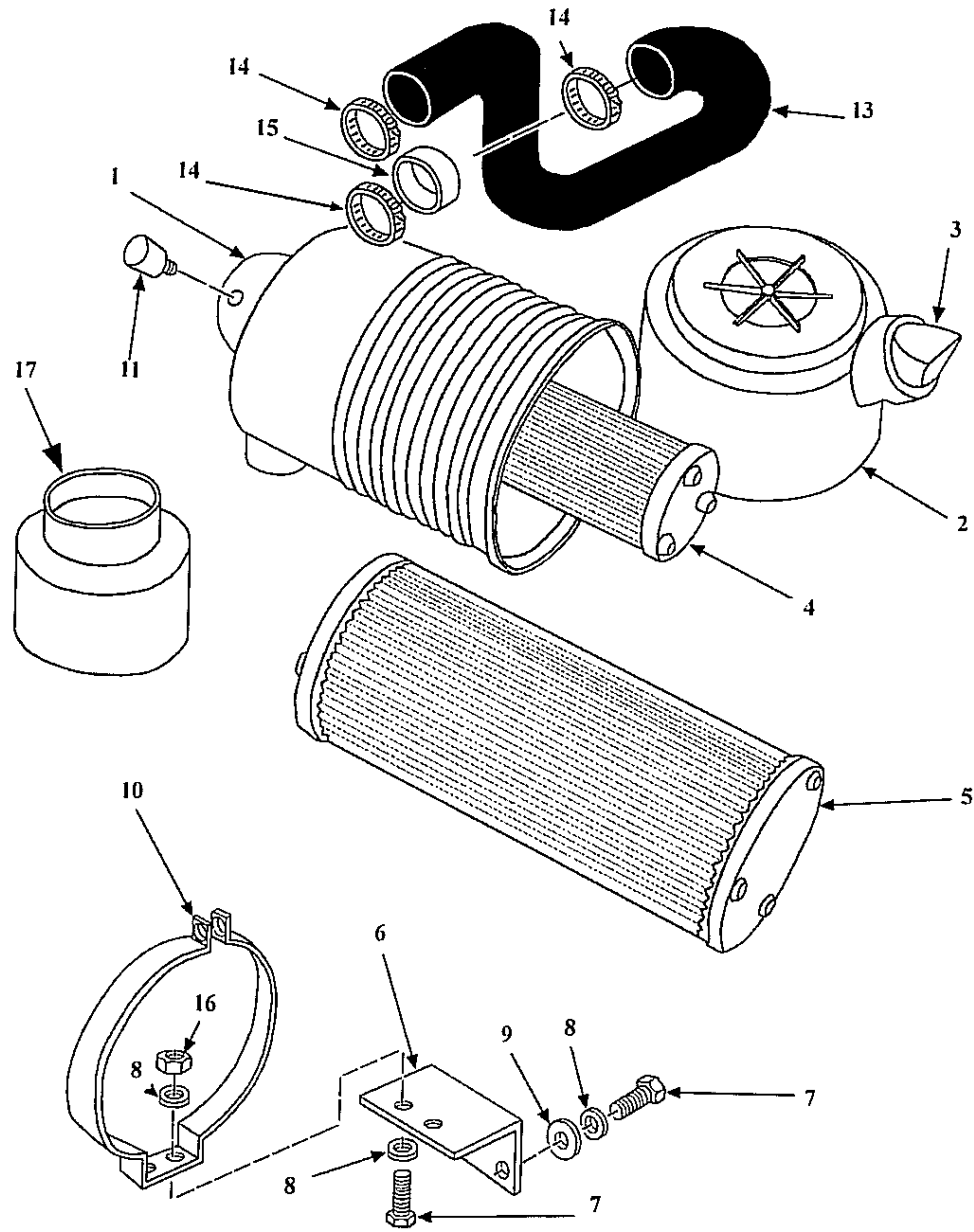
Pos NO.	art No.	Qty	Description
23	37104	1	Boosting Lug
*	41850	1	Mount, Boosting Lug
*	23459	2	Bolt
*	961693	1	Box, Electrical Assy
*	961915	1	Mount, Switch
*	40561	2	Battery Hold Down Clip
24	42064	1	Battery Cable (Positive)
*	42427	1	Main Frame Harness to LM000288
*	42804	1	Main Frame Harness LM000289 onward
*	39904	1	Seat Switch Harness
*	22819	2	Ground Cables(Engine to Frame, ROPS to Frame)
25	38871	2	Ground Cables (Battery)



## **ENGINE EQUIPMENT 7.**

Air Cleaner.....	7.1
Exhaust System.....	7.2
Engine Mounts, Fan Guard.....	7.3
Universal Joint.....	7.4
Engine Accessories, Filters, Belt, Heaters.....	7.5

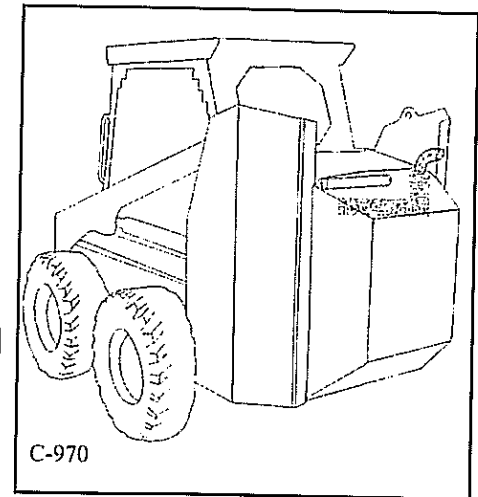
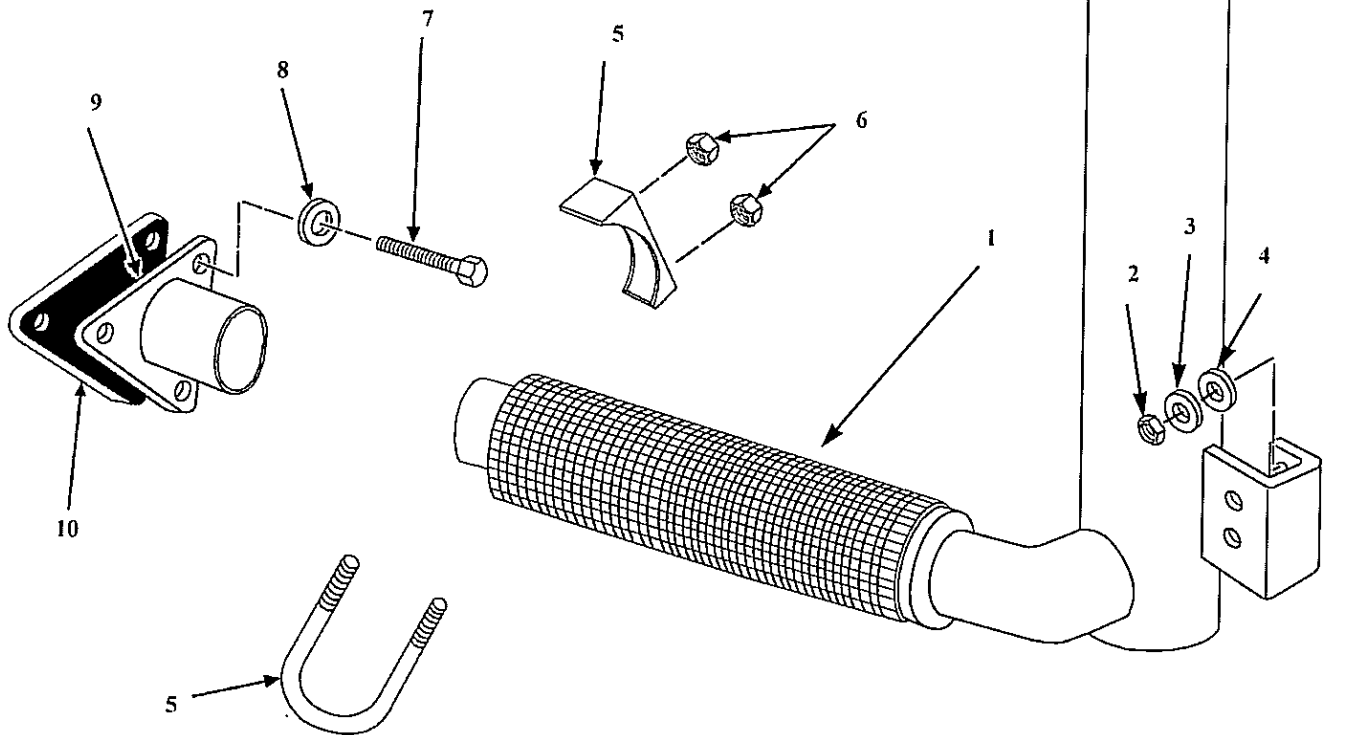
# Air Cleaner



Pos NO.	Part No.	Qty	Description
1	41985	1	Air Cleaner Assy
2	42405	1	Cover Assy
3	42422	1	Valve, Vacuator
4	42403	1	Safety Filter Element
5	42402	1	Primary Filter Element
6	41851	1	Air Cleaner Mount
7	21554	3	Bolt
8	21029	3	Washer
9	1651	1	Washer
10	42404	1	Mounting Band
11	42407	1	Indicator, Restrictor
*	42406	1	Adapter
13	41878	1	Hose, Molded, Air Inlet
14	17792	1	Clamp, Hose, #48
15	42223	1	Pipe
16	16771	1	Nut
17	43093	1	Precleaner (Optional)

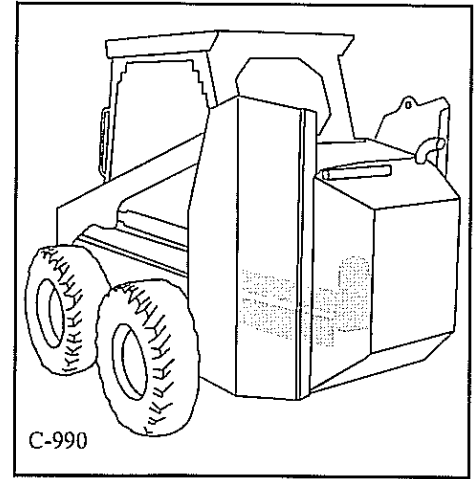
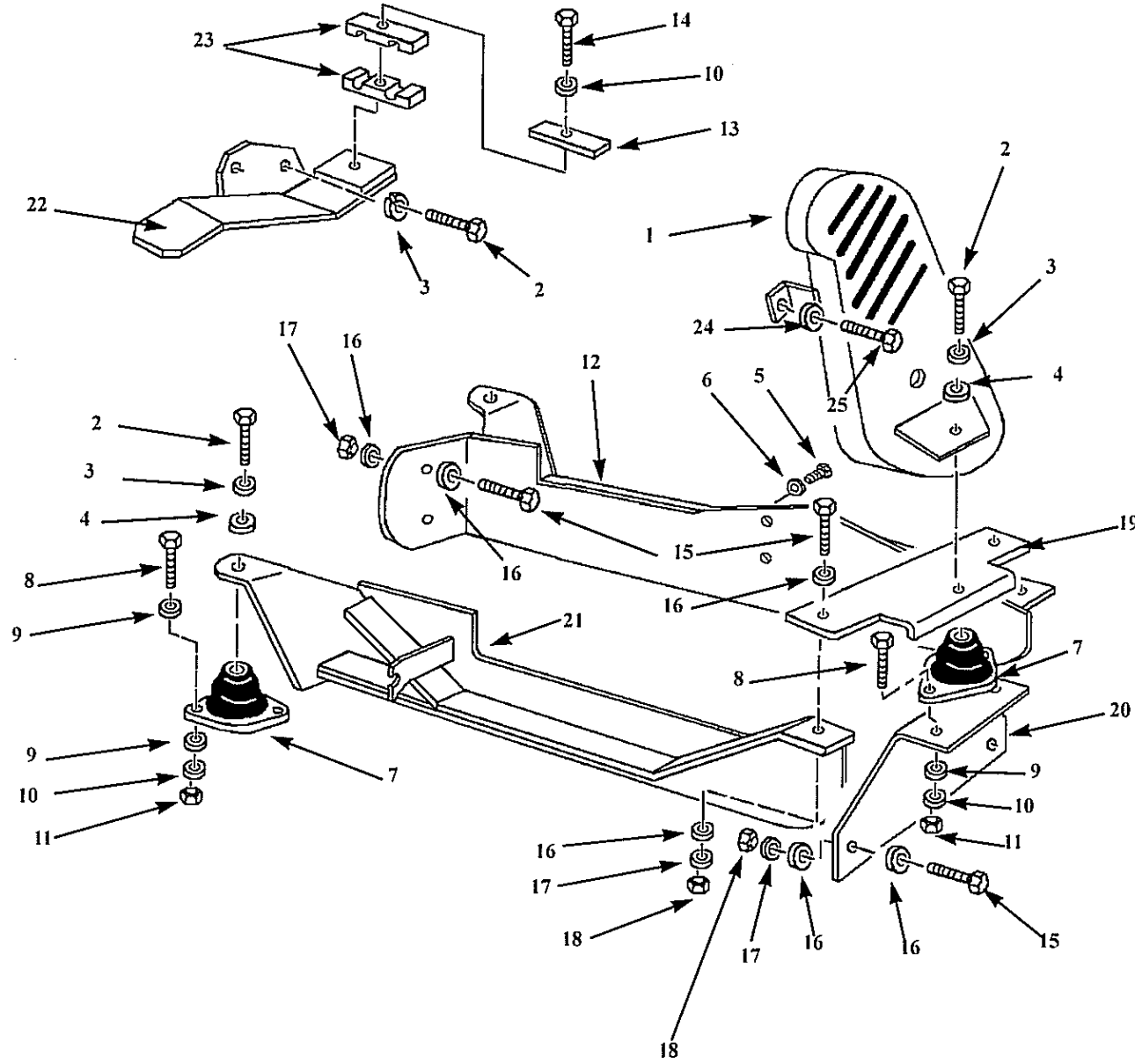
# Exhaust System

7.2



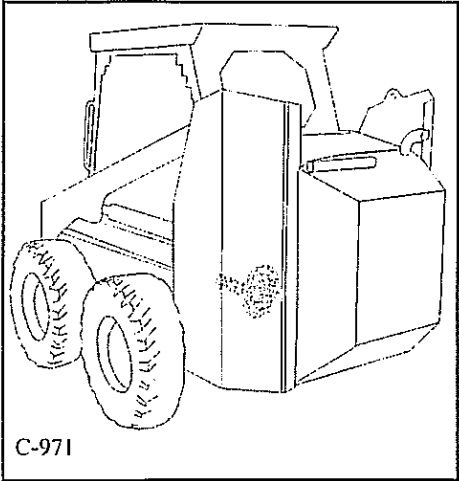
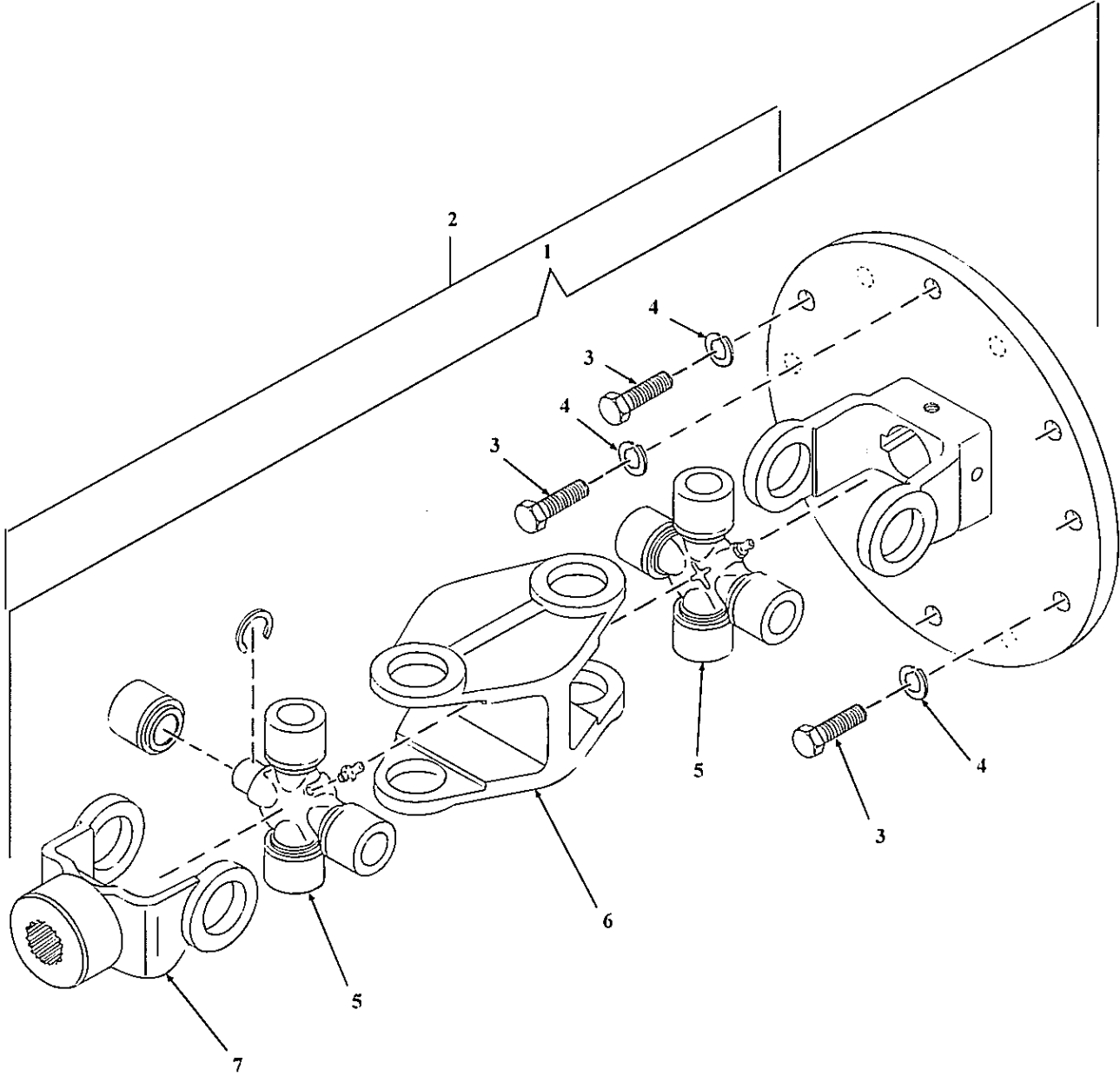
Pos NO.	Part No.	Qty	Description
1	<b>043456</b>	1	Muffler, Complete
2	16771	4	Nut
3	1651	4	Washer
4	21295	4	Washer
5	21894	1	Clamp, Muffler
6	1194	2	Nut
7	21544	8	Bolt
8	21029	4	Plainwasher
9	961735	1	Flange, Exhaust Assy
10	42847	1	Gasket, Metallic

# Engine Mounts, Fan Guard



Pos NO.	Part No.	Qty	Description
1	961587	1	Cover, Belt Assembly
2	42186	1	Bolt
3	21558	1	Washer
4	23385	1	Washer
5	23460	2	Bolt
6	21028	2	Washer
7	38558	3	Isolator
8	1190	6	Bolt.
9	1651	1	Washer
10	1870	2	Washer
11	16771	2	Nut
12	961567	2	RH Engine Mount
13	42316	4	Plate, Cover Twin
14	1675	4	Bolt
15	1240	8	Bolt
16	23385	8	Washer
17	20861	4	Washer
18	20860	4	Nut
19	41830	1	Plate, Front Engine Mount
20	41831	1	Plate, Front Isolator Mount
21	961568	1	Mount, LH Engine Assy
22	961745	1	Clamp, Hose Assy
23	42317	2	Clamp, Twin
24	21028	2	Washer
25	23460	2	Bolt

Universal Joint

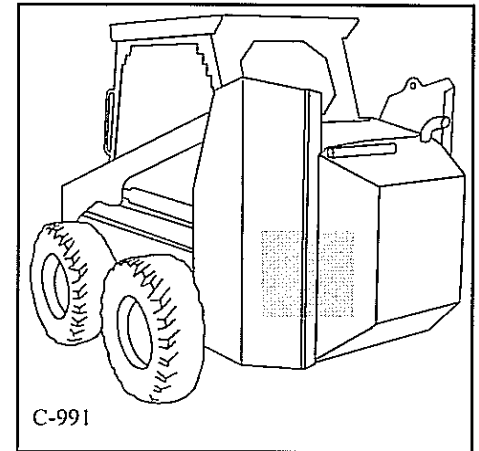
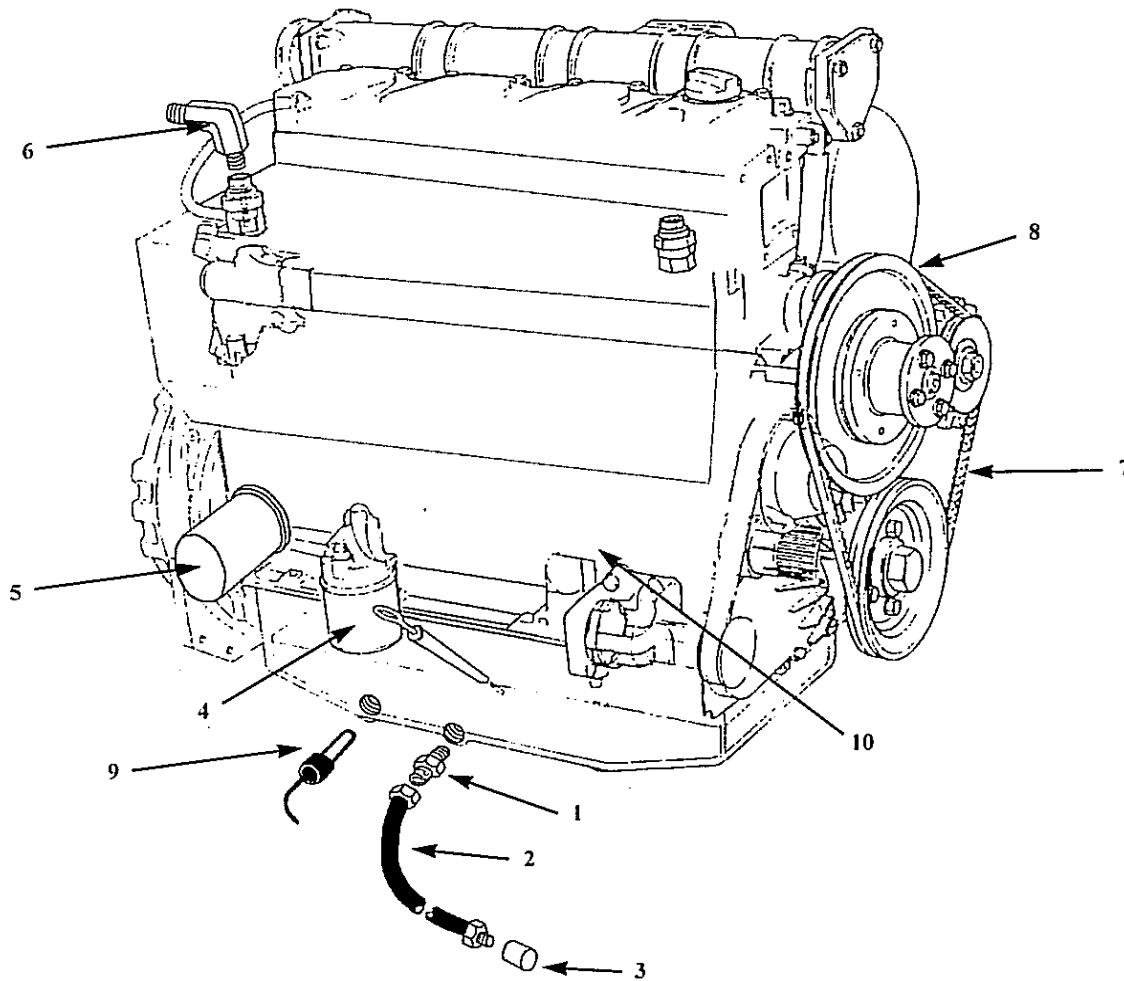




Pos NO.	Part No.	Qty	Description
1	961366	1	U.J. Cross Complete
2	41104	1	U.J. Cross Complete without plate
3	19029	6	Bolts
4	21029	6	Springwasher
5	42820	2	U-Joint Kit
6	42819	1	Yoke, Double Swivel
7	42818	1	Yoke, Splined

Engine Accessories, Filters, Belt, Heater

7.5



Pos NO.	Part No.	Qty	Description
	41892	1	Engine Assy, Complete
1	42203	1	Connector, Strt, out of Oil Pan
2	961759	1	Hose, Hydraulic
3	42292	1	Cap
4	42649	1	Filter, Engine Fuel
5	42650	1	Filter, Engine Oil
6	42293	1	Elbow
7	42817	1	Alternator Belt
8	37104	1	Boosting Lug
*	41850	1	Mount, Boosting Lug
9	961818	1	Oil Pan Heater Complete
*	42069	1	Heater, Element
10	43276	1	Fuel Pump

## OPTIONAL EQUIPMENT 8.

Horn Kit.....	8.1
Wheel Equipment.....	8.2
Cab Door.....	8.3
Strobe Light Kit.....	8.4
Directional Light Kit.....	8.5
ROPS. Windows.....	8.6
Cab Heater.....	8.7

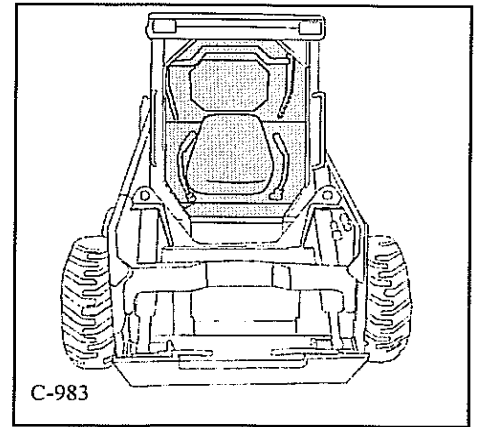
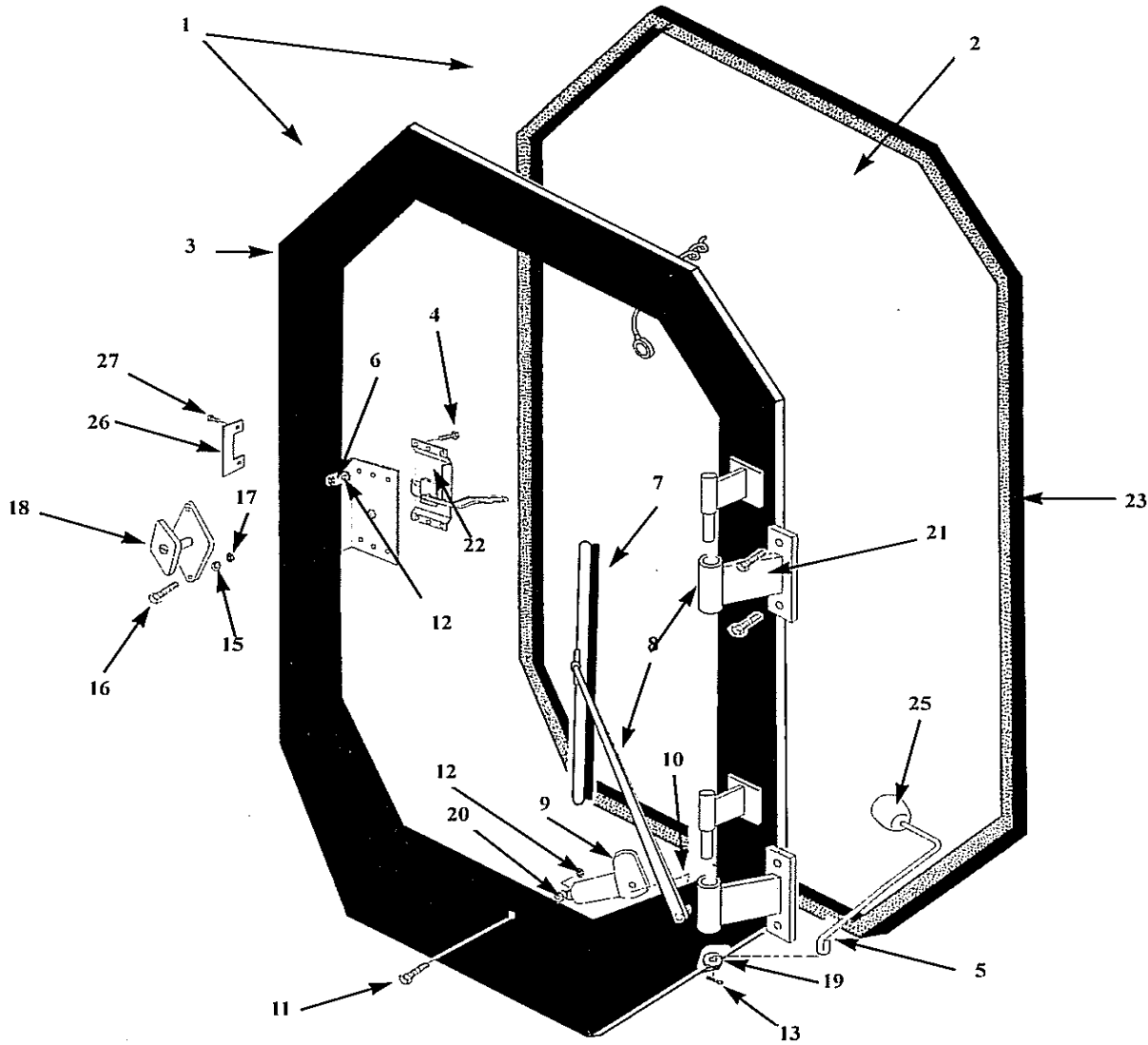
**Horn Kit****8.1**

Pos NO.	Part No.	Qty	Description
	6522	1	Switch, Horn
	39122	1	Fuse, Automotive 10 Amp.
	765	4	Loom, Corrugated
	14619	1	Bolt, Stove
	2279	1	Washer
	1350	1	Nut
	1650	1	Washer
	39204	2	Connector
	39127	2	Terminal, Pin
	5237	2	Terminal,
	17940	1	Grommet
	39206	13	Wire
	40918	1	Fast Sounding Alarm

## Wheel Equipment

Pos NO.	Part No.	Qty	Description
*	7019	4	Valve Stem
*	5832	32	Nut, Wheel
*	26188	32	Stud, Wheel
*	42844	4	RH X 12 X 16.5 Mount Assembly
*	42845	4	LH X 12 X 16.5 Mount Assembly
*	29064	4	16.5 x 9.75, 8 Bolt Rim
*	36092	2	12.00 x 16.5, Segmented Wheel (LH)
*	36619	2	12.00 x 16.5, Segmented Wheel (RH)
*	36094	22	Segments, 12.00 x 16.5
*	961300	4	8.00 x 16.00, Wheel and Tire, Solid
*	961299	4	8.00 x 16.00 Wheel
*	38284	4	Tire, 8.00 x 16.00 Solidmatic
*	42829	4	12.00 x 16.5 8 Ply Tire
*	29064	4	12.00 X 16.5 Tire Rim Assy
*	31583	4	16.5 x 8.25 8 Bolt Rim, 10.00 Tire
*	36491	4	16.5 X 9.75, 8 Bolt Rim, 12.00 Tire
*	39572	1	Paint, Spray Can, Gray
*	40966	AR	Paint, Light Grey
*	40970	1	Paint, Spray Can, Orange
*	41778	1	Paint, Litre Can, Orange

# Cab Door



Pos NO.	Part No.	Qty	Description
	960693	1	Door Assy, Complete (U-2674)
1	961028	1	Door Only
2	37243	1	Glass, Tempered Safety
3	15756	12 ft	Bulb, Weather Seal
4	5170	4	Bolt
5	961063	2	Bar, Slider Assy
6	6645	4	Nut
7	37597	1	Wiper Blade
8	37596	1	Wiper Arm
9	37275	1	Wiper Motor
10	NSP	1	Motor Wire
11	2663	1	Bolt
12	1650	5	Washer, Flat
13	1630	1	Cotter Pin
15	2811	2	Washer, Lock
16	15885	2	Bolt
17	6467	2	Nut
18	953780	1	Handle
19	1643	1	Washer, Flat
20	6645	1	Nut
21	958336	2	Cab Door Hinge
22	39891	1	Latch
23	15750	9 ft	Weatherstrip
24	32629	1	Latch block
25	25298	1	Ball, Red Handle
26	32600	1	Latch Plate
27	31774	6	Screw, Self Tapping



**Strobe Light Kit (U - 1707)****8.4**

Pos NO.	Part No.	Qty	Description
*	39200	1	Strobe Light, Amber
*	39123	1	Switch, Toggle
*	3622	AR	Wire, Black
*	3621	AR	Wire, Red
*	3627	AR	Wire, Green
*	16601	1	Terminal, Wire
*	8615	AR	Tube
*	39204	3	Connector
*	39122	1	Fuse, 10 amp
*	765	1	Loom. Corrugated
*	24851	2	Screw

**Directional Light Kit (U - 1701)**

Pos NO.	Part No.	Qty	Description
	38304	1	Switch Turn /Hazard
	38305	1	Lamp R/H Double Face
	38306	1	Lamp L/H Double Face
	38307	1	Flasher
	35534	1	Connector, Flasher
	3622	1	Wire
	15149	1	Wire
	3628	1	Wire Blue
	3625	1	Wire Yellow
	3623	1	Wire White
	3621	1	Wire Red
	16601	3	Terminal Wire
	8615	1	Tube Heat Shrink
	39204	3	Connector
	39533	2	Connector
	24851	2	Screw Self Tapping
	39122	1	Fuse 10 AMP
	765	1	Loom Corrugated
	6081	4	Bolt
	1870	4	Washer
	16771	4	Nut
	31744	4	Screw

**ROPS, Windows****8.6**

Pos NO.	Part No.	Qty	Description
1.	24334	1	ROPS, Top Filler
	39868	8	Washer, Nylon
	39869	2	Knob, Fluted Black
2.	39905	1	Window, Glass, Sliding RH
	40955	1	Glass, Fixed
	40956	1	Glass, Slider
3.	39906	1	Window, Glass Sliding, LH
	40955	1	Glass, Fixed
	40956	1	Glass, Slider
4.	39907	2	Insulator, Nylon
5.	40908	2	Bolt
6.	40909	2	Nut

**Cab Heater**

Pos NO.	Part No.	Qty	Description
	811	10'	Hose, Heater
	22280	2	Elbow
	31166	1	Valve, Heater
	31167	1	Cable, Heater Valve Control
	37167	1	Heater, Cab
	37601	1	Switch, Heater
	37606	1	Knob, Control
	37633	2	O-ring
	39122	1	Fuse, 10 amp
	39820	2	Elbow, O-ring
	42630	2	Hose End
	42631	2	Connector
	16019	6	Hose Clamp

PART NO.	SECTION	PART NO.	SECTION	PART NO.	SECTION	PART NO.	SECTION
261	1.1	1387	2.1	1650	2.7	1678	1.3
261	1.7	1387	2.2	1650	3.4	1680	1.4
407	1.1	1387	2.3	1650	8.1	1680	1.5
698	4.1	1387	2.4	1650	8.3	1680	6.1
765	8.1	1387	5.1	1650	1.10.	1773	4.1
765	8.4	1457	5.2	1651	1.2	1803	4.4
765	8.5	1458	1.1	1651	1.3	1870	1.6
811	8.7	1461	5.2	1651	1.7	1870	1.7
1064	1.12	1546	3.3	1651	3.1	1870	3.1
1190	1.7	1630	8.3	1651	4.1	1870	3.4
1190	7.3	1631	2.5	1651	7.1	1870	4.1
1191	1.6	1634	3.2	1651	7.2	1870	4.1
1191	1.7	1642	1.7	1651	7.3	1870	7.3
1191	3.1	1642	2.1	1663	3.4	1870	8.5
1191	4.1	1642	2.2	1668	2.1	1898	2.1
1193	1.6	1642	2.3	1668	2.2	1898	2.2
1193	2.1	1642	2.4	1668	2.3	1898	2.3
1193	2.2	1642	4.7	1668	2.4	1898	2.4
1193	2.3	1642	5.1	1671	1.11	2011	1.4
1193	2.4	1643	1.6	1673	1.7	2279	1.12
1193	4.7	1643	1.7	1673	2.1	2279	1.7
1194	3.4	1643	2.1	1673	2.2	2279	2.1
1194	5.1	1643	2.2	1673	2.3	2279	2.2
1194	7.2	1643	2.3	1673	2.4	2279	2.3
1205	3.4	1643	2.4	1675	2.1	2279	2.4
1240	7.3	1643	3.4	1675	2.2	2279	8.1
1248	1.9	1643	4.7	1675	2.3	2580	1.7
1341	3.4	1643	5.1	1675	2.4	2593	1.10.
1350	8.1	1643	8.3	1675	7.3	2663	1.12
1350	1.10.	1647	1.9	1677	2.1	2663	1.7
1364	2.1	1650	1.12	1677	2.2	2663	1.9
1364	2.2	1650	1.7	1677	2.3	2663	2.1
1364	2.3	1650	1.9	1677	2.4	2663	2.2

PART NO.	SECTION	PART NO.	SECTION	PART NO.	SECTION	PART NO.	SECTION
2663	8.3	5832	8.2	7465	1.6	14877	3.2
2811	8.3	5896	2.3	7465	2.1	14898	4.1
2823	1.2	5896	2.4	7465	2.2	15149	8.5
2823	1.3	6081	8.5	7465	2.3	15433	4.1
2835	1.2	6086	1.7	7465	2.4	15733	1.2
2835	1.3	6086	1.10.	7465	3.4	15733	1.3
3189	1.2	6297	4.10.	7465	4.3	15750	1.9
3189	1.3	6356	1.10.	7465	4.4	15750	8.3
3189	2.1	6377	3.1	7667	4.4	15756	8.3
3189	2.3	6393	2.1	7723	3.4	15880	2.1
3321	1.5	6393	2.2	8104	5.1	15880	2.2
3621	8.4	6393	2.3	8104	5.2	15880	2.3
3621	8.5	6393	2.4	8280	1.7	15880	2.4
3622	8.4	6394	2.1	8613	1.11	15885	8.3
3622	8.5	6394	2.2	8613	2.7	15931	1.9
3623	8.5	6394	2.3	8613	3.3	16019	8.7
3625	8.5	6394	2.4	8613	3.4	16601	8.4
3627	8.4	6467	8.3	8613	4.1	16601	8.5
3628	8.5	6522	8.1	8615	8.4	16771	1.11
4842	1.2	6608	4.4	8615	8.5	16771	1.2
4842	1.3	6645	1.12	8704	3.3	16771	1.3
5170	1.12	6645	1.9	8705	3.3	16771	1.4
5170	2.7	6645	2.7	10516	3.1	16771	1.5
5170	8.3	6645	3.4	10494	4.2	16771	2.2
5237	8.1	6645	8.3	14619	8.1	16771	2.3
5406	2.1	6645	8.3	14620	2.1	16771	2.4
5406	2.2	7019	8.2	14620	2.2	16771	4.2
5406	2.3	7124	4.4	14620	2.3	16771	7.1
5406	2.4	7458	1.11	14620	2.4	16771	7.2
5803	2.1	7458	1.4	14797	1.1	16771	7.3
5803	2.2	7458	1.5	14866	4.7	16771	8.5
5803	2.3	7465	1.11	14866	4.8	16982	8.2
5803	2.4	7465	1.2	14866	5.1	16989	1.2
5832	3.2	7465	1.3	14867	5.1	16989	1.3

PART NO.	SECTION	PART NO.	SECTION	PART NO.	SECTION	PART NO.	SECTION
17144	4.1	20856	1.4	21558	7.3	23747	5.1
17340	3.3	20856	1.7	21894	7.2	23747	5.2
17421	2.3	20856	5.1	21907	1.7	23750	5.1
17421	2.4	20856	5.1	21907	2.1	23750	5.2
17422	1.7	20860	1.2	21907	2.2	23771	2.6
17429	1.7	20860	1.3	21907	2.3	23861	1.1
17429	2.3	20860	1.4	21907	2.4	24214	1.1
17432	2.3	20860	1.5	21926	6.2	24214	6.2
17432	2.4	20860	5.1	22280	4.4	24264	1.1
17432	2.5	20860	6.1	22280	8.7	24334	8.6
17439	1.7	20860	7.3	22448	3.2	24851	8.4
17439	2.3	20861	1.5	22470	1.12	24851	8.5
17442	1.7	20861	1.7	22653	1.4	24914	3.4
17442	2.3	20861	5.1	22653	1.5	25011	4.8
17516	2.5	20861	5.1	22734	3.3	25011	5.1
17516	3.4	20861	6.1	22819	6.2	25091	1.9
17633	1.9	20861	7.3	23012	2.1	25104	3.3
17792	7.1	20901	1.7	23012	2.2	25298	8.3
17940	8.1	20901	3.1	23012	2.3	25583	2.3
18318	1.1	21004	1.12	23012	2.4	25583	2.4
18455	1.9	21028	7.3	23194	1.1	25589	2.5
18683	6.1	21028	7.3	23194	6.2	25618	3.2
19029	7.4	21029	7.1	23385	1.4	25762	1.7
19226	4.2	21029	7.2	23385	1.5	25842	3.4
19226	4.3	21029	7.4	23385	1.7	25843	3.4
19226	4.4	21128	4.8	23385	5.1	25845	1.4
19233	5.2	21174	2.1	23385	6.1	25845	3.3
19235	5.2	21174	2.2	23385	7.3	25845	4.1
19240	5.1	21174	2.3	23385	7.3	25879	3.1
19240	5.2	21174	2.4	23452	1.9	26041	3.3
19242	5.2	21295	7.2	23459	6.2	26042	3.2
19605	6.1	21320	2.6	23460	7.3	26188	3.2
19949	1.1	21544	7.2	23460	7.3	26188	8.2

PART NO.	SECTION	PART NO.	SECTION	PART NO.	SECTION	PART NO.	SECTION
26315	3.1	29861	4.10.	31341	5.2	33850	4.7
26509	3.2	29862	4.9	31488	1.2	33868	4.10.
26510	3.2	29862	4.10.	31488	1.3	34903	4.1
26737	1.1	29878	4.9	31489	1.2	34919	4.1
28979	3.4	29896	4.9	31489	1.3	35243	4.7
28994	5.2	29971	6.2	31581	1.7	35426	1.2
29029	3.2	29982	2.1	31583	8.2	35426	1.3
29064	8.2	29982	2.2	31744	1.7	35449	1.12
29064	8.2	29982	2.3	31744	1.9	35449	1.4
29065	2.1	29982	2.4	31744	2.1	35449	1.5
29065	2.2	30026	4.9	31744	2.2	35449	4.9
29065	2.3	30044	2.5	31744	2.3	35449	1.10.
29065	2.4	30236	4.9	31744	2.4	35449	4.10.
29066	2.1	30266	4.8	31744	8.5	35451	4.9
29066	2.2	30470	3.4	31774	8.3	35451	4.10.
29066	2.3	30474	3.4	32478	4.1	35534	8.5
29066	2.4	30485	3.4	32511	4.10.	35763	2.3
29093	3.4	30487	3.4	32578	3.3	35763	2.4
29245	1.11	30501	2.1	32600	8.3	35855	2.5
29361	3.2	30501	2.2	32614	1.4	35883	2.3
29384	2.1	30501	2.3	32614	1.5	35883	2.4
29384	2.2	30501	2.4	32615	1.4	35884	2.5
29384	2.3	30641	4.10.	32615	1.5	36092	8.2
29384	2.4	30800	3.4	32629	8.3	36094	8.2
29437	4.4	30899	1.4	32906	3.3	36336	4.2
29438	4.2	30900	1.4	32907	3.3	36336	4.3
29438	5.2	30913	1.5	32920	4.1	36336	4.4
29476	3.4	31044	3.3	33153	4.3	36422	4.1
29477	3.4	31045	3.3	33153	4.10.	36491	8.2
29689	4.2	31046	3.3	33154	4.10.	36619	8.2
29689	4.9	31166	8.7	33155	4.10.	36733	4.1
29855	4.9	31167	8.7	33831	4.2	37070	4.1
29856	4.9	31262	1.7	33831	4.3	37104	6.2
29861	4.9	31262	3.1	33831	4.4	37104	7.5



PART NO.	SECTION	PART NO.	SECTION	PART NO.	SECTION	PART NO.	SECTION
37167	8.7	38516	1.6	39122	8.4	39972	6.1
37184	3.4	38516	6.2	39122	8.5	40011	1.11
37206	4.1	38553	2.7	39122	8.7	40012	1.11
37206	6.2	38553	3.4	39123	6.1	40183	1.7
37208	4.1	38558	7.3	39123	8.4	40198	6.2
37243	8.3	38560	1.9	39124	6.1	40320	2.7
37275	8.3	38561	1.9	39126	1.9	40323	1.12
37596	8.3	38577	6.1	39126	6.1	40337	1.10.
37597	8.3	38587	4.7	39127	8.1	40561	6.2
37601	8.7	38600	1.6	39199	1.12	40581	1.6
37606	8.7	38614	6.2	39200	8.4	40582	6.2
37633	8.7	38761	6.1	39204	8.1	40611	1.5
37808	1.9	38794	6.1	39204	8.4	40614	1.4
37854	2.1	38797	1.10.	39204	8.5	40614	1.5
37854	2.2	38834	2.7	39206	8.1	40737	1.9
37854	2.3	38839	1.8	39533	8.5	40908	8.6
37854	2.4	38840	1.8	39537	1.9	40909	8.6
38284	8.2	38841	1.8	39540	6.2	40918	6.1
38303	4.3	38842	1.8	39546	1.10.	40918	8.1
38304	8.5	38843	1.8	39556	1.7	40921	1.1
38305	8.5	38844	1.8	39557	1.7	40922	1.1
38306	8.5	38845	1.8	39572	8.2	40955	8.6
38307	8.5	38862	1.8	39820	8.7	40956	8.6
38357	2.8	38863	1.8	39840	6.2	40960	2.2
38409	2.8	38864	1.8	39868	8.6	40960	2.4
38410	2.8	38865	1.8	39869	8.6	40960	2.8
38411	2.8	38870	6.2	39891	8.3	40960	6.2
38412	2.8	38871	6.2	39904	1.6	40966	8.2
38413	2.8	39024	1.8	39905	8.6	40970	8.2
38414	2.8	39025	1.9	39906	8.6	41042	2.7
38472	4.2	39121	6.1	39907	8.6	41104	7.4
38472	4.3	39122	6.1	39904	6.2	41141	4.8
38472	4.4	39122	8.1	39924	1.5	41189	2.5

PART NO.	SECTION	PART NO.	SECTION	PART NO.	SECTION	PART NO.	SECTION
41288	1.11	41709	1.8	42065	6.1	42292	7.5
41288	1.4	41710	1.8	42066	6.2	42293	4.8
41289	1.11	41711	1.8	42069	7.5	42293	7.5
41289	1.4	41712	1.8	42070	1.6	42316	7.3
41290	1.4	41713	1.8	42070	1.7	42317	7.3
41290	1.5	41714	1.8	42076	4.1	42321	4.1
41291	1.4	41752	1.8	42088	4.4	42322	4.2
41291	1.5	41753	1.8	42089	4.4	42325	5.2
41318	1.5	41778	8.2	42090	4.3	42350	1.4
41324	1.11	41791	1.7	42091	4.3	42350	1.5
41324	1.5	41830	7.3	42186	7.3	42362	1.5
41329	1.5	41831	7.3	42203	7.5	42368	5.1
41330	1.5	41849	2.6	42204	2.1	42402	7.1
41370	1.4	41850	6.2	42204	2.3	42403	7.1
41371	1.4	41850	7.5	42205	2.2	42404	7.1
41372	1.4	41851	7.1	42205	2.4	42405	7.1
41391	1.4	41853	3.4	42207	2.1	42406	7.1
41391	1.5	41878	7.1	42207	2.2	42407	6.2
41392	1.4	41889	6.1	42207	2.3	42407	7.1
41392	1.5	41956	1.2	42207	2.4	42415	1.7
41402	2.7	41956	1.3	42208	2.1	42422	7.1
41410	1.11	41985	7.1	42208	2.2	42427	6.2
41427	6.1	42011	1.2	42208	2.3	42433	6.1
41607	6.1	42011	1.3	42208	2.4	42434	6.1
41611	6.1	42046	2.6	42211	2.1	42435	6.1
41612	6.1	42047	2.6	42211	2.2	42442	6.1
41619	1.6	42048	2.3	42211	2.3	42443	2.7
41619	1.7	42048	2.5	42211	2.4	42447	1.8
41622	1.7	42050	4.2	42223	7.1	42448	1.8
41627	1.1	42050	4.3	42227	1.7	42453	3.4
41627	6.2	42050	4.4	42228	2.4	42453	5.1
41632	1.11	42058	7.2	42229	2.3	42453	5.2
41704	1.7	42061	4.1	42239	1.7	42491	1.10.
41708	1.8	42064	6.2	42284	1.10.	42513	1.7

PART NO.	SECTION	PART NO.	SECTION	PART NO.	SECTION	PART NO.	SECTION
42556	4.7	42908	5.3	959631	4.2	961508	1.9
42571	1.1	42918	5.3	960497	2.7	961510	1.12
42572	1.1	43033	4.2	960680	1.6	961528	1.7
42573	1.1	43093	7.1	960680	6.2	961544	1.7
42574	1.1	43136	2.5	960681	1.6	961548	1.7
42630	8.7	43276	1.1	960693	8.3	961567	7.3
42631	8.7	43276	7.5	960798	3.4	961568	7.3
42649	1.1	43495	4.8	960805	2.5	961587	7.3
42649	7.5	952766	3.1	960806	2.5	961614	1.2
42650	7.5	953603	5.2	960836	2.1	961614	1.3
42767	5.1	953780	8.3	960836	2.3	961616	1.2
42767	5.2	954434	3.3	960837	2.2	961693	6.2
42788	4.8	956137	2.1	960837	2.4	961696	1.5
42794	6.2	956137	2.2	960840	2.1	961707	2.3
42804	6.2	956137	2.3	960840	2.2	961707	1.7
42805	6.2	956137	2.4	960840	2.3	961708	1.7
42811	6.2	956429	3.3	960840	2.4	961735	7.2
42812	5.3	956434	3.1	960851	1.12	961736	2.3
42813	5.3	956659	3.4	961028	8.3	961736	2.4
42814	6.2	956660	3.4	961063	8.3	961738	2.4
42815	6.2	957259	5.1	961299	8.2	961739	2.3
42816	6.2	957259	5.2	961300	8.2	961740	2.2
42817	7.5	957372	3.2	961303	2.1	961741	2.1
42818	7.4	957785	3.2	961303	2.3	961742	2.7
42819	7.4	958336	8.3	961366	7.4	961743	2.1
42820	7.4	958674	3.2	961388	3.1	961743	2.2
42829	8.2	958722	1.12	961389	3.1	961743	2.3
42844	8.2	958724	1.12	961426	1.4	961743	2.4
42845	8.2	959090	2.1	961452	1.11	961745	7.3
42847	7.2	959090	2.2	961452	1.5	961746	4.1
42848	6.2	959090	2.3	961456	1.4	961746	5.2
42850	4.10.	959090	2.4	961488	1.11	961748	4.7
42851	4.10.	959630	4.2	961499		961749	4.7

PART NO.	SECTION
961750	4.1
961750	4.8
961751	4.8
961752	4.7
961752	4.8
961753	4.8
961754	5.2
961755	5.1
961755	5.2
961756	4.1
961756	5.2
961757	4.8
961758	4.8
961759	7.5
961760	4.3
961760	4.4
961761	4.3
961761	4.4
961762	5.1
961762	5.2
961763	5.1
961763	5.2
961764	5.1
961765	5.1
961766	4.2
961770	4.2
961771	4.4
961772	4.4
961773	4.3
961774	4.2
961818	7.5
961833	1.5
961834	1.5